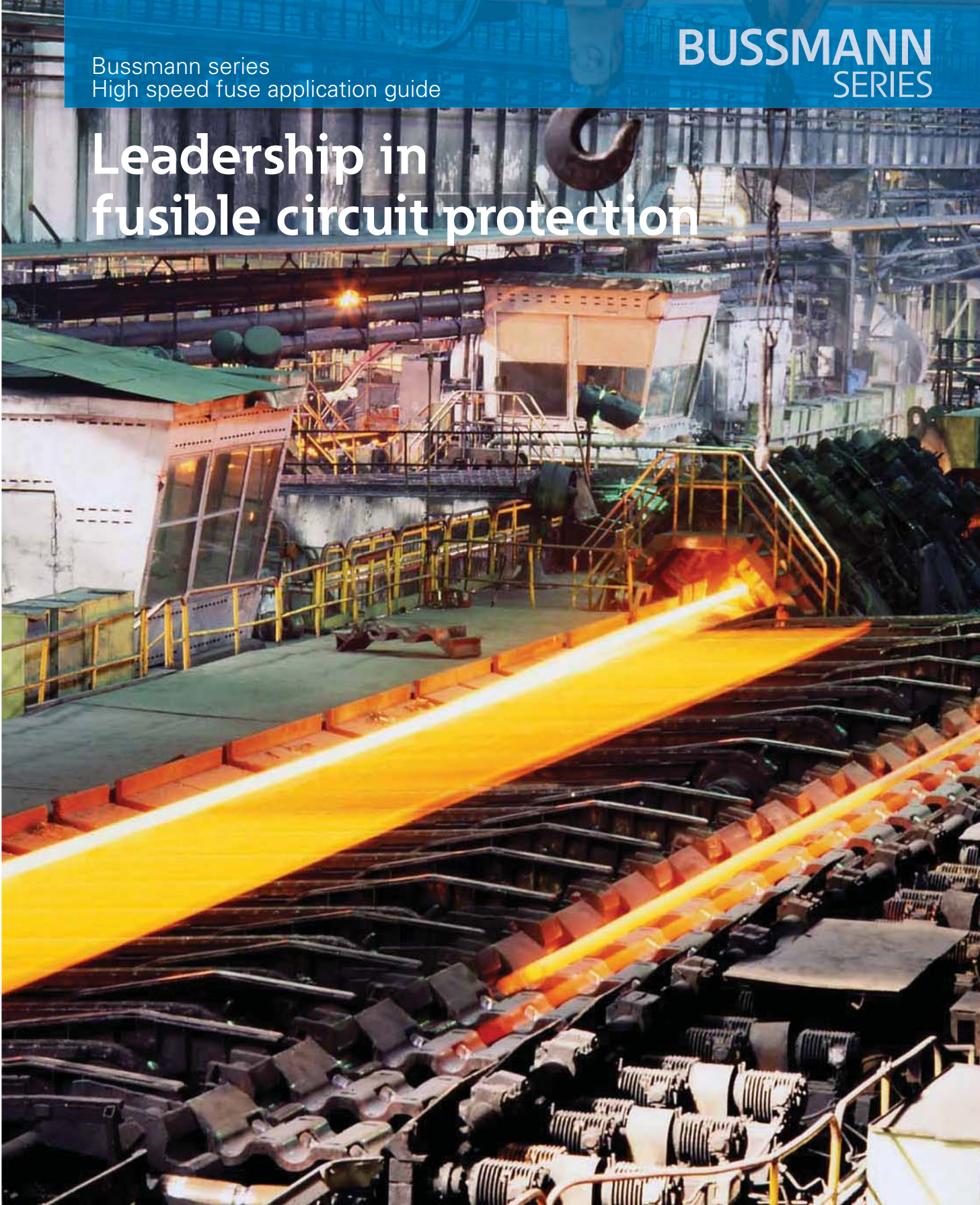


Bussmann series
High speed fuse application guide

BUSSMANN
SERIES

Leadership in fusible circuit protection



EATON

Powering Business Worldwide

Eaton is the leading source of fusible circuit protection solutions in the global marketplace. Eaton's Bussmann series products are approved for use around the world and meet agency requirements and international standards: IEC, VDE, DIN, UL, CSA, BS and others.

The headquarters for Eaton's Bussmann series product line is located in Burton-on-the-Wolds, Leicestershire (UK) and is part of Eaton's Industrial Control and Protection EMEA division.

Eaton manufactures over 50,000 Bussmann series part numbers, covering extensive fusible circuit protection solutions for a wide range of applications: residential, industrial, motor protection, power conversion and distribution.

Eaton has been a leading exponent in the design, development and manufacture of fuse links and their associated accessories for more than 100 years and has supplied fuse links to more than 90 countries worldwide.

Eaton's team of specialist Engineers and Field Applications Engineers plays a leading role in international standardisation of fuse links offering comprehensive advice on selection and applications.

With a continual commitment to meet our customers' needs with innovative high quality products with ISO 9001 'approval systems', Eaton is the supplier of choice for circuit protection solutions.

Contents

| | | | |
|--|-----------|--|-----------|
| Introduction | 4 | Photovoltaic systems | 25 |
| Background | 4 | Fuses selection for protecting regenerative DC-drives | 26 |
| Typical fuse construction | 4 | Conclusion on the rectifier mode | 26 |
| Fuse Operation | 5 | Conclusion on the regenerative mode | 27 |
| Protection requirements for high speed fuse links | 6 | Summary of Voltage Selection for Regenerative Drives: (4Q-Service) | 27 |
| How high speed fuses are different than other fuses | 6 | Protecting inverters | 28 |
| Characteristics required / provided | 6 | Voltage selection | 28 |
| Ambient temperatures | 7 | Current selection | 28 |
| Local ambient temperature | 7 | I ² t Selection | 28 |
| Forced cooling | 7 | IGBT as switching device | 28 |
| Mean, peak and RMS currents | 7 | IGBT inverter | 29 |
| Time-current characteristics | 7 | Protection of drive circuits | 29 |
| Surges | 7 | Bi-polar power transistors and darlington | 29 |
| Coordination with semiconductor characteristics | 8 | Worked examples | 30 |
| Short-circuit performance | 8 | Example 1 — DC thyristor drive | 30 |
| I ² t ratings | 8 | Example 2 — | |
| Peak fuse currents | 8 | DC supply with redundant diodes | 30 |
| Arc voltage | 8 | Example 3 — | |
| Conductor size | 8 | Regenerative drive application | 31 |
| Package protection | 8 | Appendix 1 | |
| The high speed fuse data sheet | 9 | International Standards and Eaton's Bussmann series | |
| The time-current curve | 9 | product range | 32 |
| The AA-curve | 10 | In Europe | 32 |
| Clearing integral information | 10 | In the United States | 32 |
| The I ² t curve | 10 | Eaton's Bussmann series product range | 32 |
| Cut-off current curve | 11 | European standard | 32 |
| The arc voltage curve | 11 | Blade type fuses | 32 |
| Watt loss correction curve | 11 | Flush-end contact type | 32 |
| Temperature conditions | 11 | British Standard — BS88 | 33 |
| Rated voltage dimensioning | 12 | US Style — North American blade and flush-end style | 33 |
| Voltage rating | 12 | Cylindrical fuses | 33 |
| IEC voltage ratings | 12 | Appendix 2 | |
| North American voltage rating | 12 | Fuse reference system | 34 |
| Simple rated voltage dimensioning | 12 | The following describes the Eaton's Bussmann series | |
| Frequency dependency | 12 | reference system in detail — style by style | 34 |
| Extended rated voltage dimensioning | 12 | Reference system for European high speed fuses | 34 |
| Possible AC/ DC combinations | 12 | Reference system for BS88 High speed fuse links | 35 |
| AC fuses in DC circuits | 13 | Reference System for US High Speed Fuses | 36 |
| Fuses under oscillating DC | 13 | Special fuses - Types SF and XL | 37 |
| Fuses in series | 13 | Appendix 3 | |
| Rated current dimensioning | 14 | Installation, service, maintenance, environmental | |
| Part 1 — Basic selection | 14 | and storage issues | 38 |
| Part 2 — Influence of overloads | 15 | Tightening torque and contact pressure | 38 |
| Part 3 — Cyclic loading | 16 | Fuses with flush end contacts | 38 |
| Application areas — general | 18 | Special flush-end types | 38 |
| RMS Currents in common bridge arrangements | 18 | Fuses with contact knives | 38 |
| Typical rectifier circuits | 19 | DIN 43653 — on busbars | 38 |
| Protection by fuses | 20 | DIN 43653 — in fuse holders | 39 |
| Internal and external faults | 20 | DIN 43620 | 39 |
| Protection from internal faults | 20 | Press pack fuses | 39 |
| Protection from an external fault | 20 | Mounting alignment | 40 |
| Service interruption upon device failure | 20 | Surface material | 40 |
| Non-interrupted service upon device failure | 20 | Tin-plated contacts | 40 |
| Fuses under DC conditions | 21 | Vibration and shock resistance | 40 |
| DC fed systems | 21 | Service and maintenance | 40 |
| Battery as a load | 21 | Environmental issues | 40 |
| Battery as only source | 22 | Storage | 40 |
| DC application of Eaton's Bussmann series | | Appendix 4 | |
| square body AC fuses | 23 | Glossary | 41 |
| Calculation example | 24 | | |

Introduction

The history of Eaton's Bussmann series high speed fuse links discussed in this guide is long and proud. Since the first international acquisition in 1984, Eaton has expanded in order to service customers with fuses in all recognized world standards. Based on three different global standards and with ISO 9000 manufacturing locations worldwide, Eaton provides industry with globally accepted high speed fuses and accessories for protecting power semiconductors.

With local sales and technical assistance in all regions of the world, Eaton is able to provide industry with optimum fuse solutions. In addition, when needed and practical, Eaton performs tests at our Paul G. Gubany Center for High Power Technology at Eaton in St. Louis, where test currents up to 720 V a.c. three-phase / 200 kA, 720 V a.c. single phase / 200 kA and 1000 V d.c. / 100 kA can be obtained.

This guide's objective is to provide engineers easy access to Eaton data for high speed fuses. It also provides detailed information on the Eaton's Bussmann series high speed fuse reference system. The various physical standards are covered with examples of applications along the considerations to cover in selecting rated voltage, rated current and similar main data for protecting power semiconductors. Guidelines for fuse mounting is covered, with explanations on how to read and understand Eaton data sheets and drawings.

This document is not a complete guide for protecting all applications of power semiconductors. The market is simply too complex to make such a document, and, in some cases, the actual fuse selection will require detailed technical discussions between the engineers specifying the equipment and Eaton Application Engineering.

However, the data presented here will be of help in daily work and provide the reader with the basic knowledge of our products and their application.

Background

The fuse has been around since the earliest days of electric telegraphs and then later for the protecting power distribution and other circuits.

The fuse has undergone considerable evolution since those early days. The modern High Breaking Capacity (HBC)/ high interrupting rating fuse provides an economical and reliable protection against overcurrent faults in modern electrical systems.

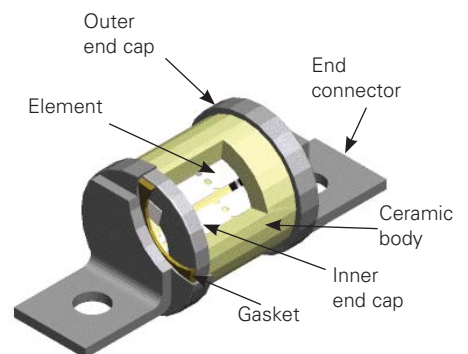
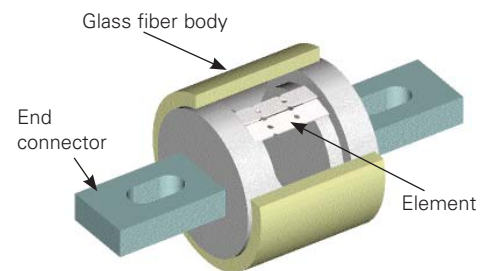
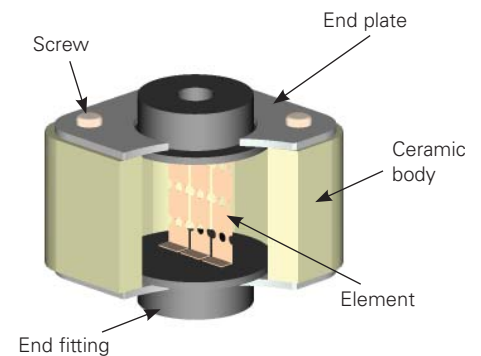
The basic fuse operation simple — excess current passing through specially designed fuse elements causes them to melt to isolate the faulty circuit. Fuses have now developed for many applications with current ratings of only a few milliamps to many thousands of amps, and for use in circuits of a few volts to those for 72kV distribution systems.

The most common use for fuses is in electrical distribution systems where they are placed throughout the system to give protection to cables, transformers, switches, control gear and equipment. Along with different current and voltage ratings, fuse operating characteristics are changed to meet specific application areas and unique protection requirements.

The definitions on how fuses especially designed for a certain purpose (fuse class) are included in the Glossary.

Modern fuses are made in many shapes and sizes, but all have the same key features. Although all fuse components influence the total fuse performance, the key part is the fuse element. This will be made from a high conductivity material and that is shaped to produce a number of reduced sections commonly referred to as 'necks' or 'weak spots.' It is mainly these reduced sections that will control the fuse's operating characteristics. The element is surrounded with an arc-quenching material, usually graded quartz, that "quenches" the arc that forms when the reduced sections melt. It is this function that gives the fuse its current limiting ability.

To contain the quartz is an insulating container usually referred to as the fuse body, made of ceramic or engineering plastic. Finally, to connect the fuse element to the circuit it protects there are end connectors, usually of copper. The other component parts of a fuse vary depending on the type of fuse and the manufacturing methods used.



Typical fuse construction

Fuse Operation

The fuse operation depends primarily on the balance between the rate of heat generated within the element and the rate of heat dissipated to external connections and surrounding atmosphere. For current values up to the continuous maximum rating of the fuse design ensures that all the heat generated is dissipated without exceeding the pre-set maximum temperatures of the element or other components. Under conditions of sustained overloads, the rate of heat generated is greater than that dissipated and causes the fuse element temperature to rise. The temperature rise at the reduced sections of the elements ("necks" or "weak spots") will be higher than elsewhere, and once the temperature reaches the element material melting point it will "break," thus isolating the circuit. The time taken for the element to melt and break decreases with increasing current levels.

The current level that causes the fuse to operate in a time of 4 hours is called the minimum fusing current, and the ratio of minimum fusing current to the rated current is called the fusing factor of that fuse. Under heavy overloading, or short-circuit conditions, there is little time for heat dissipation from the element and the temperature at the restrictions reach the melting point almost instantaneously. Under these conditions, the element will commence melting well before the prospective fault current (AC) has reached its first major peak. The time taken from

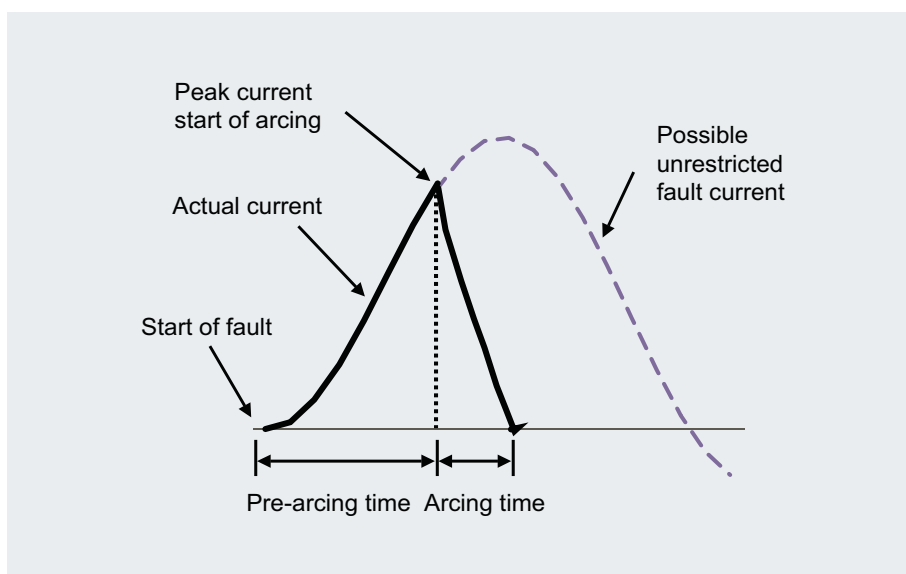
the initiation of the fault to the element melting is called the pre-arcing time. This interruption of a heavy current results in an arc being formed at each restriction with the arc offering a higher resistance. The arc's heat vaporizes the element material; the vapor fusing with the quartz to form a non-conductive rock like substance called fulgurite. The arc also tends to burn the element away from the restriction to increase the arc length and further increase the arc resistance. The cumulative effect is the extinction of the arc in a very short time and the final isolation of the circuit. Under such heavy overload and short-circuit conditions the total time taken from initiation of fault to the final clearance of the circuit is very short, typically in a few milliseconds. The current through the fuse has been limited. Such current limitation is obtained at current levels as low as 4 times the normal continuous rating of the fuse.

The time taken from the appearance of the arc to its final extinction is called the arcing time. The sum of the pre-arcing and arcing time is the total operating time. During the pre-arcing and the arcing times a certain amount of energy will be released depending on the magnitude of the current. The terms pre-arcing energy and arcing energy are similarly used to correspond to the times. Such energy will be proportional to the integral of the square of the current multiplied by the time the current flows, and often abbreviated as I^2t ; where I is the RMS value of the current and t is the time in seconds for which the current flows.

For high values of current, the melting time is too short for heat to be lost from the reduced section (is adiabatic) and pre-arcing I^2t is therefore a constant. The arcing I^2t , however, also depends on circuit conditions. The published data quoted is based on the worst possible conditions and is measured from actual tests. These will be detailed later.

The arc causes a voltage across the fuse and is termed the arc voltage. Although this depends on the element design, it is also governed by circuit conditions. This arc voltage will exceed the system voltage. The design of the element allows the magnitude of the arc voltage to be controlled to known limits. The use of a number of reduced sections in the element, in series, assists in controlling the arcing process and also the resultant arc voltage.

Thus, a well-designed fuse not only limits the the prospective current level, but also ensures the fault is cleared in an extremely short time and the energy released to protected equipment is considerably smaller than that available.



Protection requirements for high speed fuse links

Silicon-based semiconductor devices (diodes, thyristors, Gate turn-off thyristors [GTO], transistors and isolated gate bipolar transistors [IGBT]) have found an increasing number of applications in power and control circuit rectification, inversion and regulation. Their advantage is the ability to handle considerable power in a very small physical size. Due to their relatively small mass, their capacity to withstand overloads and overvoltages is limited.

In industrial applications, fault currents of many thousands of amps occur if an electrical fault develops somewhere in the circuit. Semiconductor devices can withstand these high currents only for extremely short periods of time. High current levels cause two harmful effects on semiconductor devices. First, non-uniform current distribution at the p-n junction(s) of the silicon creates abnormal current densities and causes damage. Second, a thermal effect is created that's proportional to the product I^2t , (RMS value of current) 2 , $\times t$, (I^2t - time for which the current flows).

As a result, the overcurrent protective device must:

- A. Safely interrupt very high prospective fault currents in extremely short times
- B. Limit the current allowed to pass through to the device
- C. Limit the thermal energy (I^2t) let-through to the device during fault interruption

Unfortunately, ultra fast interruption of large currents creates high overvoltages. If a silicon rectifier is subjected to this, it will fail due to breakdown phenomena. The protective device selected must, therefore, also limit the overvoltage during fault interruption.

So far, consideration has mainly been given to protection against high fault currents. In order to obtain maximum utilization of the device, coupled with complete reliability, the protective device selected must also:

- D. Not require maintenance
- E. Not operate at normal rated current or during normal transient overload conditions
- F. Operate in a predetermined manner when abnormal conditions occur

The only overcurrent protective device with all these qualities at an economical cost is the modern high speed fuse. Normal fuses (i.e., those complying with IEC 60269-2) are designed primarily to protect industrial equipment, and possess all the qualities mentioned above, but not to the degree required for protecting semiconductor devices.

For these reasons, special fuse types have been developed to protect semiconductor devices. They are characterized by their high operating speed and are referred to as semiconductor or, more accurately, high speed fuses.

The term semiconductor fuse is misleading as there is no semiconductor material involved in their construction.

How high speed fuses are different than other fuses

High speed fuses have been developed to minimize the I^2t , peak current let-through and arc voltage. To ensure rapid element melting, the high speed fuse restrictions (necks) have a different design than a similarly rated industrial fuse and are typically operated at higher temperatures.

High speed fuses typically operate with higher heat dissipation requirements than other fuse types because of their higher element temperatures and they are often in smaller packages. To help dissipate heat, the body or barrel materials used are often a higher grade.

High speed fuses are primarily for protecting semiconductors from short-circuit devices where high operating temperatures often restrict using low melting point alloys to assist with low overcurrent operation. The result is that high speed fuses often have more limited capability to protect against these low overcurrent conditions.

Many high speed fuses are physically different from standard fuse types and require additional mounting arrangements with the benefit that it helps prevent installing an incorrect fuses.

Characteristics required / provided

For fuse protection of semiconductors, a number of device and fuse parameters need to be considered. Of the parameters there are a number of influencing factors associated with each. The manner in which these are presented and interpreted will be shown in what follows. These parameters and associated factors need to be applied and considered with due reference to the specific requirements of the circuits and application. Some of these factors are covered in the sections on voltage dimensioning, current dimensioning and applications.

Table 1. Factors to consider in fuse selection

| Parameter | Factors affecting parameter | | Data provided | |
|-----------------------------------|--|--|--|---|
| | Fuse | Diode or thyristor * | Fuse | Diode or thyristor * |
| Steady state RMS current | Ambient, attachment, proximity of other apparatus and other fuses, cooling employed | Ambient, type of circuit, parallel operation, cooling employed | Maximum rated current under specified conditions, factors for ambient, up-rating for forced cooling, conductor size | Comprehensive curves (mean currents generally quoted) |
| Watts dissipated for steady state | As for current | As for current | Maximum quoted for specified conditions | Comprehensive data |
| Overload capability | Pre-loading, cyclic loading surges, manufacturing tolerances | Pre-loading, cyclic loading surges | Nominal time/current curves for initially cold fuses – calculation guidelines for duty cycles | Overload curves, also transient thermal impedances |
| Interrupting capacity | AC or DC voltage/short-circuit levels | | Interrupting rating | |
| I ² t ratings | Pre-loading; total I ² t dependent on: circuit impedance, applied voltage, point of initiation of short-circuit | Pre-loading fault duration | For initially cold fuses: total I ² t curves for worst case conditions, pre-arcing I ² t constant Fuse clearing time | Half cycle value or values for different pulse duration |
| Peak let-through current | Pre-loading; fault current (voltage second order effect) | Pre-loading fault duration | Curves for worst conditions for initially cold fuse-links | Peak current for fusing |
| Arc voltage | Peak value dependent on: applied voltage, circuit impedance, point of initiation of short-circuit | P.I.V. voltage ratings (non-repetitive) | Maximum peak arc voltages plotted against applied voltage | P.I.V. voltage rating quoted (non-repetitive) |

* The protection of transistors is more complex and will be described in the section on IGBT protection

Ambient temperatures

Fuses for protecting semiconductors may have to be derated for ambience temperatures in excess of 21°C. Ratings at other temperatures are shown on derating graphs.

Local ambient temperature

Poor fuse mounting, enclosed fuses and proximity to other apparatus and fuses can give rise to high local ambient temperature. The maximum fuse rating in these cases should be determined for each application using the local ambient temperature as described in the section on current dimensioning.

Forced cooling

To achieve maximum ratings in many installations, diodes or thyristors are force cooled in an air stream. Fuses can be similarly uprated if placed in an air stream. Air velocities above 5m/s do not produce any substantial increase in the ratings. For further information see the sections on current dimensioning and data sheets.

Mean, peak and RMS currents

Care must be taken in coordinating fuse currents with the circuit currents. Fuse currents are usually quoted in Root-Mean Square (RMS) values while diodes and thyristors in quoted in terms of mean values.

Time-current characteristics

These are derived using the same test arrangement as the temperature rise tests, with the fuse at ambient temperature before each test. For standard fuses, the nominal melting times are plotted against RMS current values down to melting times of 10ms. For high speed fuses, the virtual melting time is used and shown down to 0.1ms.

Surges

Effects of cyclic loading or transient surges can be considered by coordinating the effective RMS current values and durations of the surges with the time-current characteristics. The following points should be remembered when using these published characteristics:

1. The characteristics are subject to a 5 percent tolerance on current.
2. For times below one second, circuit constants and instants of fault occurrence affect the time-current characteristics. Minimum nominal times are published relating to symmetrical RMS currents.
3. Pre-loading at maximum current rating reduces the actual melting time. Cyclic conditions are detailed in the section on current dimensioning.

Coordination with semiconductor characteristics

Short-circuit performance

The short-circuit zone of operation is usually taken as operating times less than 10 milliseconds ($\frac{1}{2}$ cycle on 50Hz supply in AC circuits). It is in this region that high speed fuses are current limiting. Since the majority of the applications are fed from AC sources, the performance data for fuses are usually given for AC operations. Where applicable, prospective symmetrical RMS currents are used.

I²t ratings

The pre-arcing (melting) I²t tends to a minimum value when the fuse is subjected to high currents with this value being shown on the data sheet. The arcing I²t varies with applied voltage, fault level, power factor and the point on wave of the initiation of the short-circuit. The total I²t figures shown are for the worst of these conditions. The majority of semiconductor manufacturers give I²t ratings for their power semiconductors that should not be exceeded during fusing at all times below 10ms. These are statistically the lowest values for when the device has been pre-loaded.

For effective device protection, the total I²t of the fuse must be less than the I²t capability of the device.

Peak fuse currents

Under short-circuit conditions, high speed fuses are inherently current limiting (the peak current through the fuse is less than the prospective peak current). The "Cut-off" characteristic, (the peak fuse current against symmetrical prospective RMS current) are shown in the data sheets. Peak fuse currents should be coordinated with diode or thyristor data in addition to I²t.

Arc voltage

The arc voltage produced during fuse operation varies with the applied system voltage. Curves showing variations of arc voltage with system voltage are included in the data sheets. Care must be taken in coordinating the peak arc voltage of the fuse with the peak transient voltage capability of the device.

Conductor size

The RMS current ratings assigned to Eaton's Bussmann series fuse links are based upon standard sized conductors at each end of the fuse during rating tests. These will be based on between 1 and 1.6 A/mm². Using smaller or larger conductors will affect the current rating of the fuse.

Package protection

Some semiconductor devices are extremely sensitive to overcurrents and overvoltages for which fuses may not operate fast enough to prevent some or even complete damage to the device. High speed fuses are still employed in such cases to minimize overcurrent events when the silicon or small connection wires are melting. Without these fuses, the packaging surrounding the silicon may open, with the potential to cause damage to equipment or injury to persons.

The high speed fuse data sheet

The electrical data on high speed fuses can be found from in various curves and written information. The following is a short description.

The time-current curve

The time-current curve, also called the melting curve, enables the user to find vital information in the selection and dimensioning phase. See Fig. 1.

The axes are the prospective short-circuit current (I_p) in amp symmetrical RMS and virtual Pre-Arcing time (t_v) in seconds, as specified in IEC 60269. The melting time of a given fuse can be found based on a known short-circuit current value. In practice, virtual times longer than approximately 100ms are equivalent to real time.

Using I_p and t_v direct from the fuse time-current curve permits calculating its melting integral in A^2s ($I_p^2 \times t_v$) for the actual value of prospective current. The following method shows two examples (I_1 and I_2) with guidelines to determine the effect on a fuse from an overload or short-circuit:

- First, the actual overload/short-circuit current must be known, either in the form of a curve — see Fig. 2, $I_1=f(t)$ and $I_2=f(t)$ - or as an equation.
- Calculate the RMS value of this current during time. The RMS value at a given time is found from the following formula:

$$I_{RMS}(t_1) = \sqrt{\frac{\int_0^{t_1} i^2 dt}{t_1}}$$

- Plot the values as coordinates I_{RMS}, t_r onto the fuse time/current curve as shown in Fig. 1
- If the plotted curve crosses the fuse melting curve (like $I_{RMS, 2}$ in the example shown in Fig. 1), the fuse melts to the time which can be found from the crossing point (real time).

If the plotted curve does not cross the fuse melting curve (like $I_{RMS, 1}$ in the example shown in Fig. 1), the fuse will not open.

In this case, the minimum distance (horizontally) between the plotted curve and the fuse melting curve gives an expression of how well the fuse will manage a given overload.

The above method, together with the guidelines given on overloads in the section Rated Current Dimensioning, will determine if in the long run the fuse can withstand the type of overload in question.

This can be done even if the axes of the melting curve are in I_p and t_v . It can be shown that a relabeling of the axes designation: $I_p = >I_{RMS}$ and $t_v = >t_r$ can be done without changing the shape of the melting curve.

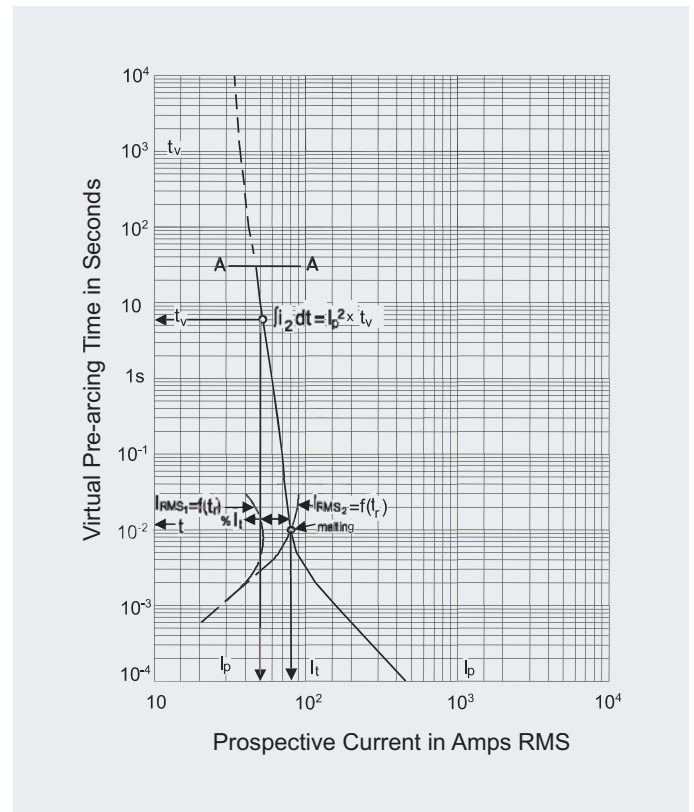


Figure 1

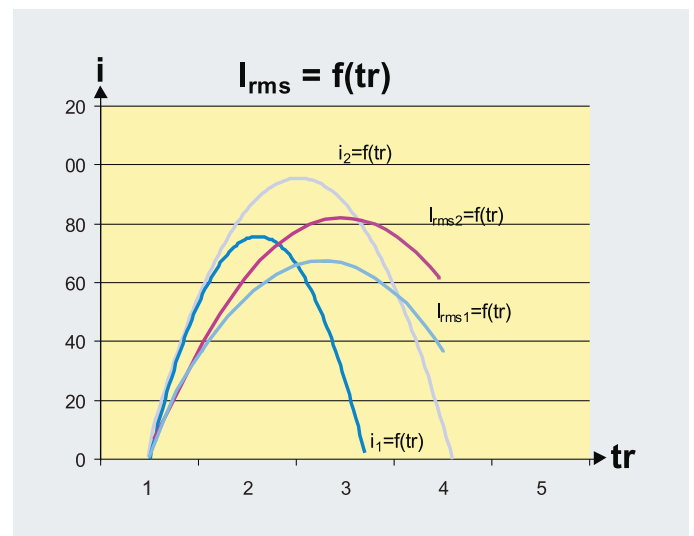


Figure 2

The AA-curve

In connection with the melting curve an AA-designation is given (for aR fuse types only). Melting or loading beyond this curve is forbidden. This is due to the risk of thermal overload, which might reduce the interrupting capacity of the fuse.

Often, the AA-curve is only indicated by a horizontal line. In order to draw the complete curve for a given fuse, the following guidelines should be used:

- The I_p found for the time equal to the crossing between the horizontal AA-curve and the actual melting curve should be multiplied by 0.9 ($I_p \times 0.9$) and this point is marked on the horizontal AA-curve, see Fig. 3.
- From here rises a 62 degree line to be connected with the $I_p=I_N$ vertical line. (I_N being rated fuse current).

This finalizes the AA-curve (Note 62°, only valid if decade relation is 1:2).

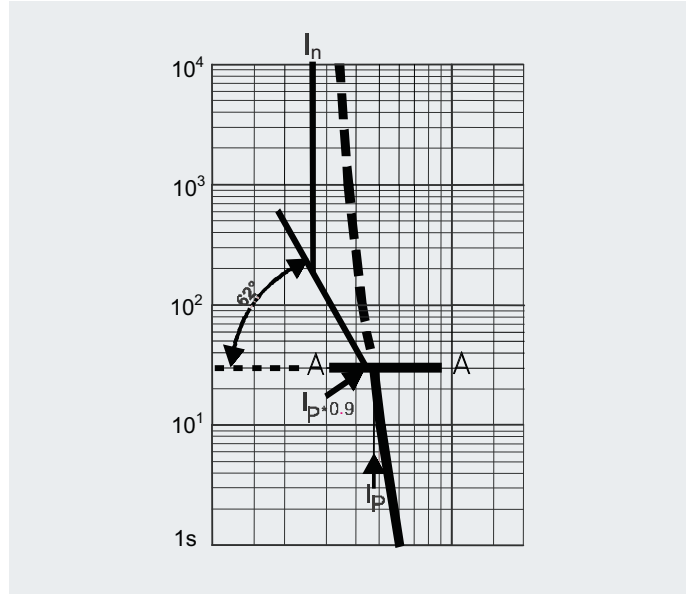


Figure 3

Clearing integral information

Normally the maximum I^2t under short-circuit conditions will be the 10ms clearing integral I^2t_{cl} of the fuse, which is given at applied working voltage equal to rated fuse voltage at power-factor $\cos \varphi = 0.15$ and at a short-circuit level of 10–15 times rated current.

This fuse I^2t_{cl} (based upon 20°C) should be compared with the equivalent 10ms fusing integral I^2t_{scr} of the semiconductor (normally given at 125°C) to see if protection is ensured, and even for $I^2t_{cl} = I^2t_{scr}$ a reasonable safety margin can be expected (cold fuse versus warm SCR). If the fuse is clearing at a lower voltage than stated above and perhaps a different power factor, this means that two correction factors should be used in conjunction with the given I^2t_{cl} .

The resultant clearing integral will be equal to:

$$I^2t_{cl} \cdot K \cdot X$$

(which factors can be found from Figs. 4 and 5)

The I^2t_{scr} of the device should be compared with this result.

The I^2t curve

On request an I^2t curve can also be furnished, showing the clearing I^2t and time as a function of the prospective short-circuit current for a given system voltage, see Fig. 6. This can ease the selectivity coordination between fuse and protected semiconductor, to be protected or other devices in the short-circuit path.

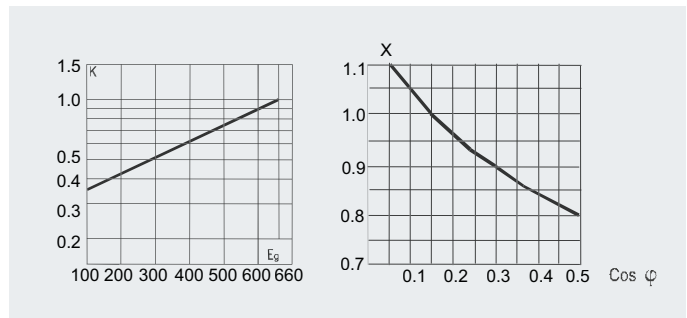


Figure 4

Figure 5

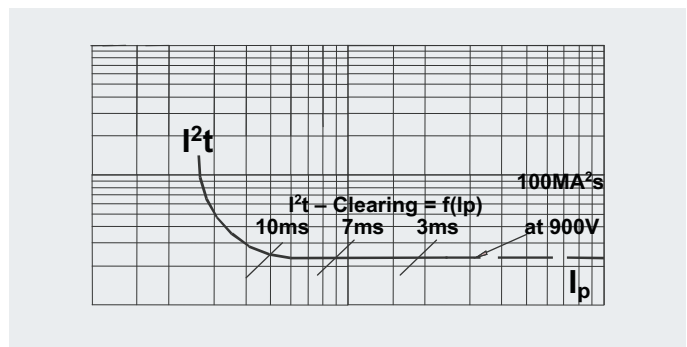


Figure 6

Cut-off current curve

Fuses are short-circuit current limiting devices. This means they will reduce the prospective, destructive thermal and mechanical forces in modern equipment to an acceptable level if a short should occur. In practice the short-circuit current is given as the RMS value of the symmetrical short-circuit current available, called I_p . The actual maximum peak (asymmetrical condition) of this current depends on the power factor in the circuit. For $\cos \varphi = 0.15$ the peak value will lie between:

$$\sqrt{2} \times I_p \text{ and up to } 2.3 \times I_p$$

From the cut-off curve in Fig. 7 it can be seen that a certain magnitude of I_p , relative to the I_N of the fuse is needed before the current-limiting effect will take place. The higher the short-circuit level, the lower the $I_{\text{cut-off}}$ of the fuse will be, relatively.

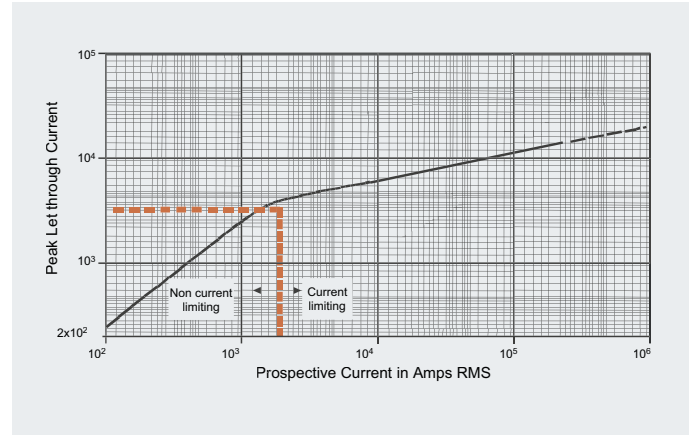


Figure 7

The arc voltage curve

The peak arc voltage of the fuse and peak reverse voltage of the semiconductor should always be coordinated.

When the fuse melts, the current has reached a given level during the melting time. But an arc voltage is generated due to the specially designed restrictions (necks) that are packed in sand. This forces the current to zero during the arcing time and finally isolation is established. This permanent isolation is built up at the restrictions sites that are converted into fulgurite, a composition of metal and sand made during the arcing process.

(The melting time plus arcing time is called clearing time, and for long melting times the arcing time is negligible). For a given fuse voltage rating the peak arc voltage U_L mainly depends on the applied working voltage level E_g in RMS, according to Fig.8.

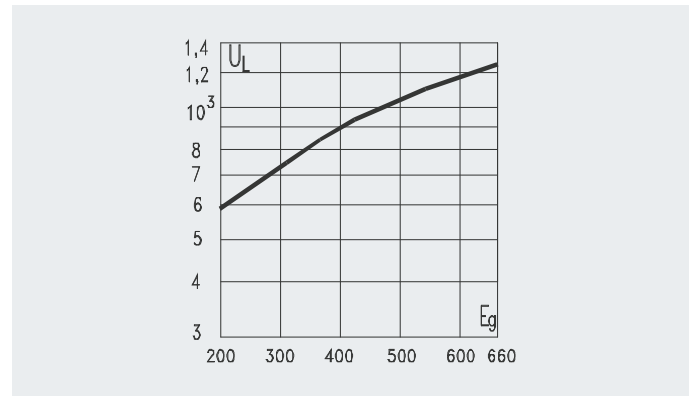


Figure 8

Watt loss correction curve

The rated watt loss is given for each fuse under specified conditions. To calculate the loss at a load current lower than rated current, the rated watt loss is to be multiplied by correction factor K_p . This factor is given as a function of the RMS load current I_b , in percent of the rated current, see Fig.9.

Temperature conditions

Fuse body and terminal temperatures are normally not given. Generally, for fuses with a ceramic body, the temperature rise lies from 70-110°C on the terminals and from 90-130°C on the ceramic body when fully loaded under IEC conditions. Keep in mind that temperature measurements can be misleading as an indication of whether a fuse is well suited or not for a given application. See the chapter dealing with rated current dimensioning for details.

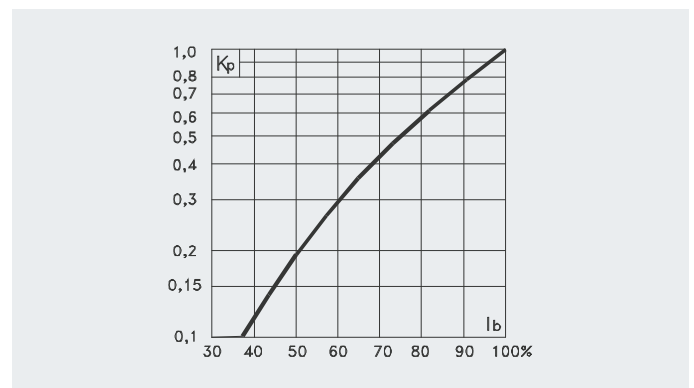


Figure 9

Rated voltage dimensioning

Voltage rating

The fuse voltage rating indicates the AC- or DC-voltage at which it is designed to operate. Most commercial fuses are rated for AC RMS voltages (45-62Hz), unless otherwise stated on the fuse label.

To properly protect any system, the fuse voltage rating must be at least equal to the system voltage in question. All Eaton's Bussmann series high speed fuse links are designed to either the UL 248-13, IEC 60269 1&4 or the BS88 standards. This allow designers to select a high speed fuse that can be used anywhere around the world.

IEC voltage ratings

IEC requires AC-voltage tests to be performed at 110 percent of the rated voltage (with the exception of 105 percent for 690V), with power factors between 10 and 20 percent.

This enables the fuse to be used at rated voltage virtually anywhere without fear of exceeding the severity of the test conditions. The extra percentages will take into account supply voltage fluctuations found in some converters.

North American voltage rating

North American voltage rating requires that all fuses should be tested at their rated voltage only, with power factors between 15 and 20 percent. In many instances, a fuse is chosen with a voltage rating well above the system requirement.

Under some circuit conditions, there can be normal circuit fluctuations of +10 percent, so aware of this when investigating North American style fuses as they have not been tested for any voltages above their rating.

Simple rated voltage dimensioning

In most converter circuits, the size and nature of the dimensioning voltage is evident and the voltage selection can be made right away.

Generally it can be said one fuse on its own should be able to clear against the maximum system voltage. If two fuses are in series in the same short-circuit path, each fuse must be rated at the system voltage.

Frequency dependency

The stated AC rated voltage of Eaton's Bussmann series high speed fuses are valid at frequencies from 45Hz to 1000Hz. Below 45Hz please refer to Fig. 1. The interrupting process at even lower frequencies tends behave more like DC and the voltage dimensioning should be in accordance with what is described in DC Applications in this guide.

Extended rated voltage dimensioning

Possible AC/ DC combinations

Even in relatively simple converters like the six-pulse bridge, etc. (see Fig. 2) the possibility exists that the dimensioning voltage for the selection of fuse's rated voltage is much higher than the AC-supply voltage itself.

This is true if the converter is regenerative, meaning that it is able to return energy to the supply. Here, in case of a commutation fault, the AC-supply voltage U_{AC} and the output DC-voltage will be superimposed. To cope with this increase in voltage, the rated voltage U_N of the fuse must be:

$$U_N \geq 1.8 \times U_{AC}$$

For further details please refer to Selection of Fuses for the Protection of Regenerative DC-Drives.

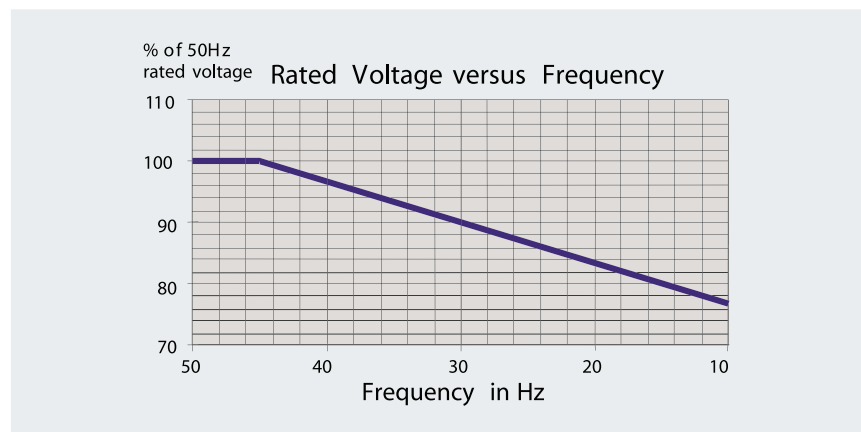


Figure 1

AC fuses in DC circuits

If AC fuses are used in DC motor and drive circuits, the selection process becomes more complex (see Fig. 3).

The dimensioning parameters will be the system DC-voltage, the minimum short-circuit current and the associated maximum time constant (L/R).

For details, refer to the DC Application of Eaton's Bussmann series Typower Zilox AC fuses.

Fuses under oscillating DC

AC fuses can be used for the protection and isolation of GTOs and IGBTs on the DC side of voltage commutated inverters (see Fig. 4).

In case of a DC shoot-through with a very high di/dt of short-circuit current, it may be possible for the DC rating to be greater than the AC-voltage rating (to IEC or UL).

For further information, please contact Eaton's application engineering bulehighspeedtechnical@eaton.com

Fuses in series

It is not common to connect fuses directly in series. Under low overcurrent conditions, only a small variation in fuse performance would cause one of the fuses to open before the other and thus the opening fuse should be capable of clearing the full system voltage. Under higher fault currents both fuses will open, but it is unlikely the voltage will be shared equally. Therefore, if fuses are connected in series the following should be observed:

1. Fault currents sufficient to cause melting times of 10ms or lower should always be available
2. The voltage rating of each fuse (U_N) should be at least 70 percent of the system voltage
3. If the available fault current may only cause melting times more than 10ms then the voltage rating of the fuse must be minimum the same as the applied voltage

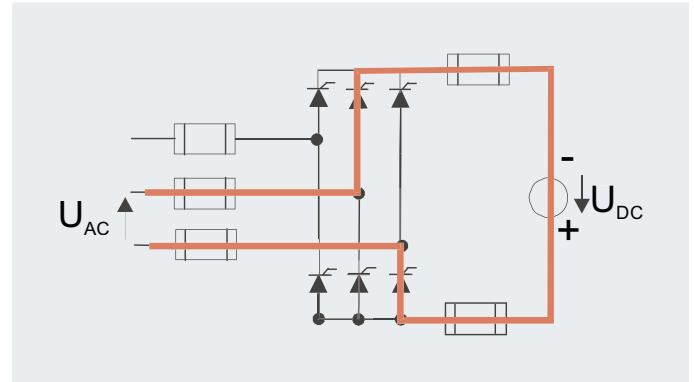


Figure 2

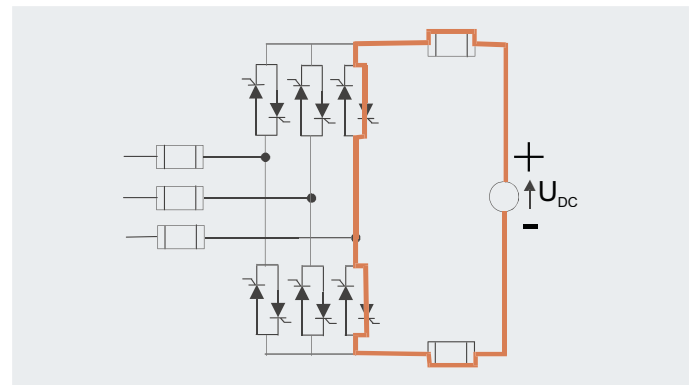


Figure 3

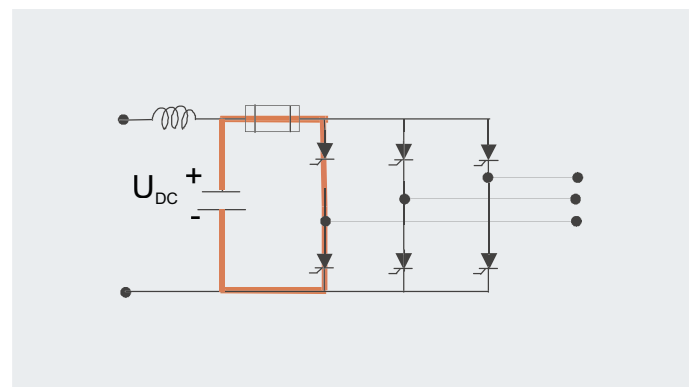


Figure 4

Rated current dimensioning

The fuse's rated current is the RMS current it can continuously carry without degrading or exceeding the applicable temperature rise limits under well defined and steady-state

conditions. This is in contrast to semiconductors, whose rated current is given as a mean or average value. Many conditions can effect the current carrying capability a fuse and

to prevent premature ageing, following Parts 1, 2 and 3 below will allow the rated current selection to be on the safe side.

Part 1 — Basic selection

This part covers the basic selection criteria for only the fuse's rated current and not the influence from overload and cyclic loading. The actual RMS steady-state load current passing through the fuse should be lower or equal to the calculated maximum permissible load current called I_b .

$$I_b = I_n \times K_t \times K_e \times K_v \times K_f \times K_a \times K_b$$

| | |
|-------|---|
| I_b | The max permissible continuous RMS load current* |
| I_n | Rated current of a given fuse |
| K_t | Ambient temp. correction factor per Fig. 1 |
| K_e | Thermal connection factor per Fig. 2 |
| K_v | Cooling air correction factor per Fig. 3 |
| K_f | Frequency correction factor per Fig. 4 |
| K_a | Correction for high altitude |
| K_b | Fuse load constant. For fuses with porcelain body it is normally 1.0 (see data sheet) For fiber body fuses the factor is normally 0.8 |

In case of water cooled fuse terminals, please consult Eaton's application engineering bulehighspeedtechnical@eaton.com

*NB: For any periods of 10 minutes duration or more the RMS-value of the load

current should not exceed this.

The maximum current density of the busbars on which the fuses are mounted should be 1.3A/mm² (IEC 60269 part 4 defines 1.0 to 1.6/mm²). If the busbars carry a current density more than this then the fuse should be derated.

For example, a 200A square body fuse is mounted onto a busbar with a cross sectional area of 120mm². For a 200A fuse the minimum cross sectional area of the busbar to meet the 1.3A/mm² requirement should be 154mm² (200A/1.3A/mm²). As the actual busbar size is only 78 percent (120mm²/154mm²) of the recommended size, the fuse must be derated.

If two connections are not equal, the respective K_e factor can be found using the following formula: $(K_1 + K_2)/2$.

Fuse mounting inside the box etc., will reduce the convection cooling compared with the IEC conditions.

An additional K_e factor should be chosen here based on judgement. Often, box mounted fuses are given an additional K_e factor of 0.8.

Fuses under high frequency load (like in voltage commutated inverters) call for special attention. At these frequencies, the current carrying capability can be reduced due to the imposed skin and proximity effect on the current-carrying elements inside the fuse. Using the curve given in Fig. 4 normally ensures a sufficient margin.

When fuses are used at high altitudes there is reduced cooling effect on the fuse as the density of the atmosphere reduces.

Correction K_a should be applied to the fuse's continuous rating when the application is above 2000m:

$$I = I_n \times \left(1 - \left(\frac{h - 2000}{100} \times \frac{0.5}{100} \right) \right)$$

Where:

I = Current rating at high altitude

I_n = Rated current of a given fuse

h = Altitude in meters.

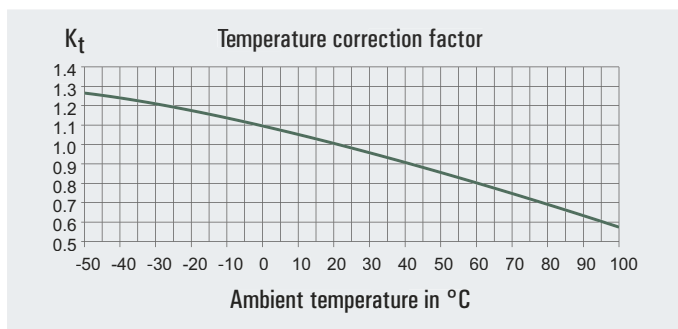


Figure 1 This curve shows the influence of the ambient temperature on the fuse's current-carrying capability.

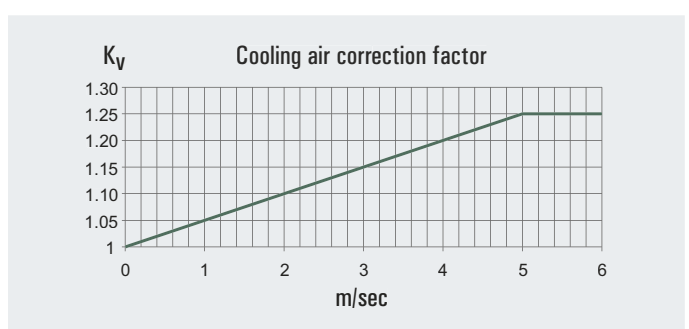


Figure 3 The curve shows the influence of forced air cooling on the fuse.

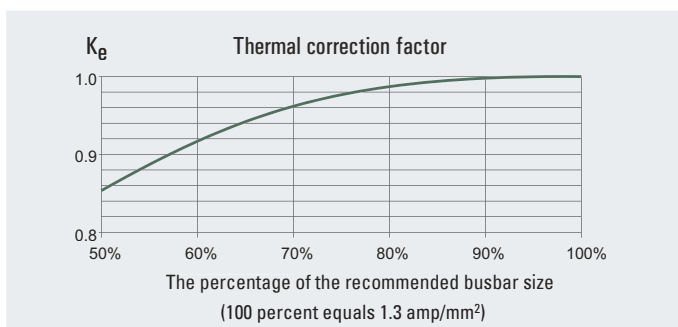


Figure 2

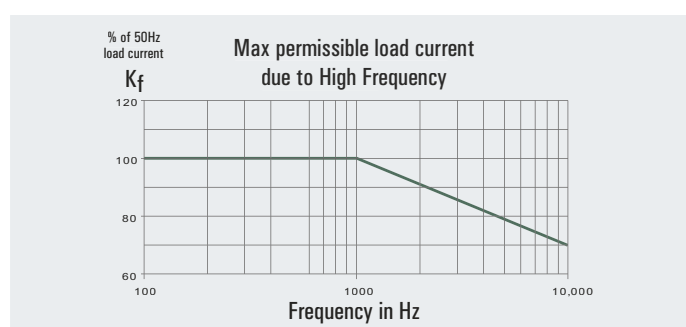


Figure 4

Example 1

A 200A rated square body fuse is applied at an ambient temperature of 40C°, and wired with cables having a cross sectional area of 120 mm² which is only 78 percent of the recommended size (1.3A/mm²). Forced air cooling is established at a rate of 4m/s. The frequency of the load current is equivalent to 3000Hz. What would be the maximum allowed steady-state RMS current I_b ?

$$I_b = I_n \times K_t \times K_e \times K_v \times K_f \times K_a \times K_b$$

$$I_b = 200 \times 0.9 \times 0.98 \times 1.2 \times 0.85 \times 1 \times 1 = 180A \text{ RMS}$$

Based upon:

| | |
|-------|---|
| I_n | = 200A |
| K_t | = 0.9, Fig.1 for 40C° ambient temperature |
| K_e | = 0.98, Fig. 2 for 0.78 × IEC |
| K_v | = 1.2, Fig. 3 for 4m/s forced air cooling |
| K_f | = 0.85, Fig. 4 for a frequency of 3000Hz |
| K_a | = 1, sea level, below 2000 meters |
| K_b | = 1 |

In other words the 200A fuse should only be subjected to a maximum 180A RMS under the described steady-state conditions.

Control of the fuse amperage

The maximum permissible steady-state load current I_b of a fuse can be checked empirically by making simple voltage measurements under actual operating conditions. This should be done after the fuse has been installed in its operating location and loaded at the calculated I_b value:

$$E_2/E_1 \times (0.92 + 0.004 \times t) \leq N$$

Where:

$$E_1 = \text{Voltage drop across fuse after 5 seconds}$$

$$E_2 = \text{Voltage drop across fuse after 2 hours}$$

$$t = \text{Air temperature at start of test in C°}$$

$$N = \text{Constant (if available, from data sheet, normally 1.5 or 1.6)}$$

Part 2 – Influence of overloads

The maximum overload current I_{max} that can be imposed on the fuse found under Part 1 depends upon the duration and frequency of occurrence.

Time durations fall into two categories:

1. Overloads longer than one second
2. Overloads less than one second (termed impulse loads)

The following table gives general application guidelines. In the expression $I_{max} < (\text{percent factor}) \times I_t$, I_t is the melting current corresponding to the time t of the overload duration as read from the time-current curve of the fuse. The limits given permit the determination of I_{max} for a given fuse rating or, conversely, the fuse current rating required for a given overload, expressed by:

$$I_{max} < (\text{percent factor}) \times I_t$$

Typical examples of load cycles including overload currents are given below:

- The percentage factor for each overload should be checked against the melting curve of the selected fuse in question, based upon the guidelines in Part 1
- There is a grey area between a sole overload and a pure cyclic load situation. In particular, the last of the three examples shown is typical of this dilemma and for safety, treat a cycle like this based upon the guidelines in Part 3 of this chapter.

| Frequency of occurrence | Overloads (>1 sec) | Impulse loads (<1 sec) |
|------------------------------|---|---|
| Less than one time per month | $I_{max} < 80 \text{ percent} \times I_t$ | $I_{max} < 70 \text{ percent} \times I_t$ |
| Less than twice per week | $I_{max} < 70 \text{ percent} \times I_t$ | $I_{max} < 60 \text{ percent} \times I_t$ |
| Several times a day | $I_{max} < 60 \text{ percent} \times I_t$ | $I_{max} < 50 \text{ percent} \times I_t$ |

Figure 5

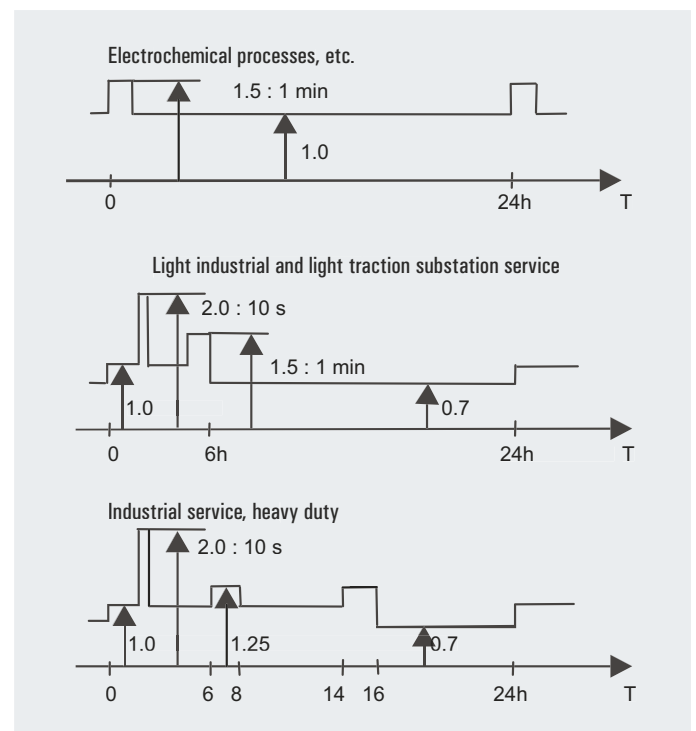


Figure 6

Example 2

A 200A fuse has been selected and is subjected to temporary overloads of 300 amps for 5 seconds. These overloads occur three to five times a day. From the time-current curve of the fuse we find I_t : the melting current corresponding to the time $t = 5$ seconds of the overload duration to be $I_t = 600A$.

From Fig. 5 the actual limit is:

$$I_{max} < 60 \text{ percent} \times I_t = 60 \text{ percent} \times 600 = 360A$$

This means that temporary overloads of up to 360A can be withstood and the 200A fuse selected (and subjected to the 300A for 5 seconds 3 to 5 times a day) will work in this application.

Part 3 – Cyclic loading

Cyclic loading that leads to premature fuse fatigue is defined as regular or irregular variations of the load current, each of a sufficient size and duration to change the temperature of the fuse elements in such a way that the very sensitive restrictions (necks) will fatigue. In order to avoid this condition, calculations can be made to ensure there is an appropriate safety margin for the selected fuse.

While using the following empirical rules will cover most cyclic loading conditions, it is impossible to set up general rules for all applications, so please contact Eaton application engineering (bulehighspeedtechnical@eaton.com).

- $I_b > I_{rms} * G$

I_b is the max permissible load current found based upon the criteria laid out in part 1, I_{RMS} is the RMS value of the cyclic loading. Some cyclic load factors G can be found from the example profiles in Fig. 7, or can be provided upon request.

In many cases a sufficient safety margin is assured by using the following G value:

$$G = 1.6$$

The required rating for the fuse can therefore be found using the following formula:

$$I_n \geq \frac{I_{RMS} * G}{K_t * K_e * K_v * K_f * K_a * K_b}$$

Once a fuse has been selected using the above criteria, a check is required to see if the individual load pulses (each expressed in I_{pulse} , t_{pulse} coordinates) have a sufficient safety margin B in relation to I_t of the fuse's melting curve. It is the melting current of the fuse corresponding to the duration of the pulse ($t = t_{pulse}$), and B to be found per Fig.8.

- $I_{pulse} < I_t * B$

This should ensure a sufficient lifetime of the fuse when subject to the given loadings.

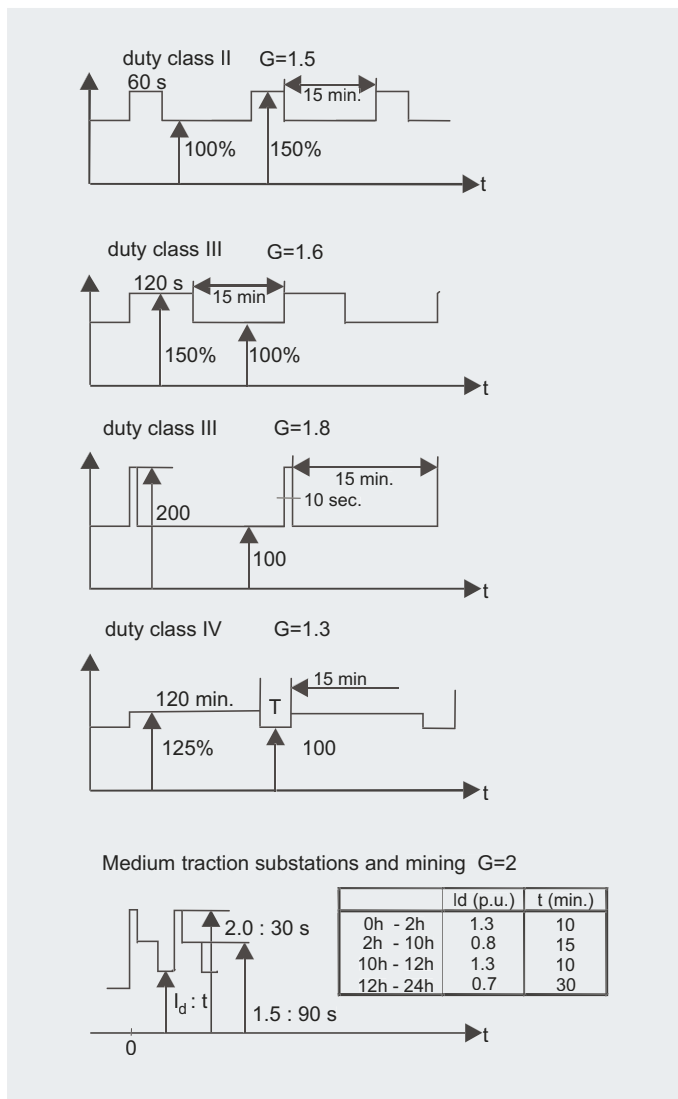


Figure 7

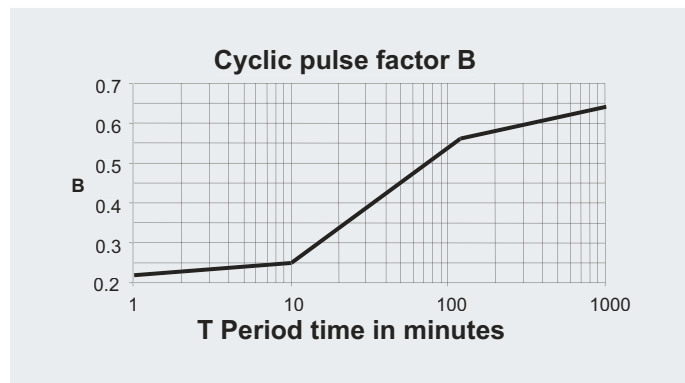


Figure 8

$I_n \geq$

Example 3

The following cyclic load exists: 150A for 2 minutes followed by 100A for 15 minutes.

This requires a cyclic load factor of $G=1.6$ (refer to example profiles) and the RMS-value of the cyclic loading for period $T = 17$ minutes is determined by:

$$\sqrt{\frac{(150^2 * 2) + (100^2 * 15)}{17}} \approx 107A_{rms}$$

$$I_b > I_{rms} \cdot G = 107 * 1.6 = 171A$$

Assuming there are no derating factors (i.e., $K_t = K_\theta = K_v = K_f = K_a = K_b$), this is the dimensioning current for the rating of the fuse I_n .

A 200A fuse may be sufficient in this case however a check by B factor still remains in order to secure that the pulse keeps a sufficient safety distance to the melting curve:

$$I_{pulse} < I_t * B = 440A * 0.32 = 141A$$

$I_t = 440A$ can be found from the time current curve of the actual 200A fuse for $t_{pulse} = 2$ minutes (as per Fig. 9) and $B = 0.32$ from Fig.8 based upon $T=17$. In this case $I_{pulse} = 100 * 1.5 = 150A$ and therefore the above equation is not satisfied and a larger rating fuse should be selected – 250A.

Fuses in parallel

There are many applications that use fuses in parallel.

As the surface area of two smaller fuses is often greater than an equivalently rated larger fuse, the cooling effects is also larger. The result may provide a lower I^2t solution, providing closer device protection or a lower power loss solution.

Only fuses of the same type or part number should be used in parallel, excepting that only one may be required to provide indication.

All the fuses should be mounted to allow equal current and heat flow to the connections. In larger installations, it is best to parallel fuses of close cold resistance values.

The I^2t value of parallel fuses is given by:

$$I^2t \times N^2$$

where N is the number of parallel fuses connected together.

Mountings should ensure at least 5mm between the adjacent parallel fuses.

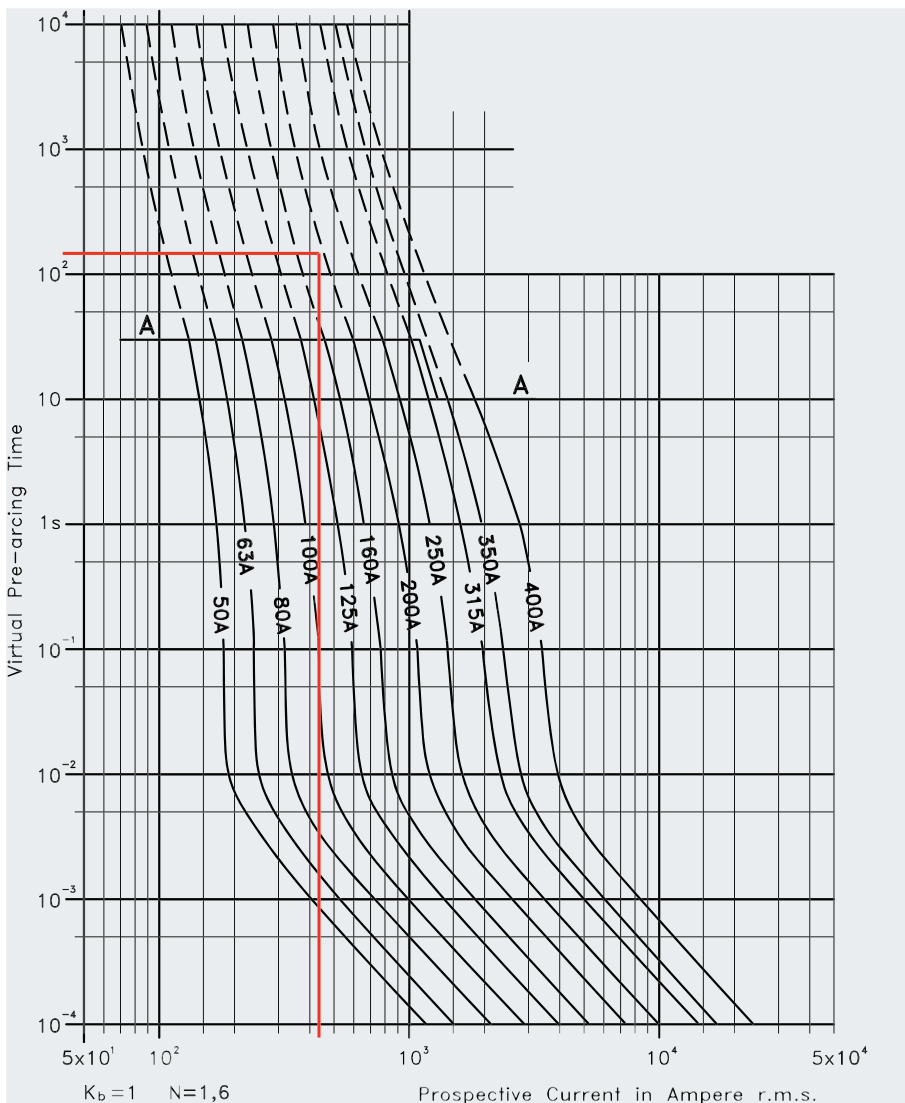


Figure 8

Application areas — general

Semiconductors and associated high speed fuses are used in many applications such as AC drives, DC drives, traction, soft starters, solid state relays, electrolysis, induction furnaces and inverters. The power source for these may be grid supply, local generator or battery.

The circuit configuration for these applications varies a lot and some of the most typical circuits are found on the following page, together with information on how to find relevant RMS-load current level for fuse installation.

All of these fuse types may operate at just a few amps or at many thousands of amps. The circuit operation principles are usually the same for all ratings, whereas the level of protection depends on issues like the need to protect against accidents and personal injuries, security of components, etc.

Some aspects of the circuits and their protection are common to many applications. These will be covered here with more specific details covered in following sections.

Applications are broadly grouped into those that are AC and those that are DC. However, in modern circuits many systems involve AC and DC.

The applications that utilizes DC to AC inverters- such as variable speed AC drives, uninterruptible power supplies (UPS) - can usually be considered in two parts for fusing. First the AC to DC converter and then the inverter section. This guide will describe the AC part first and consider the rectifier systems and switches.

RMS Currents in common bridge arrangements

The most common circuits involve rectifiers converting AC to DC. There are a number of ways in which the supply transformers and rectifying devices may be arranged. For the purposes of the following schematics, diodes are shown (although thyristors or GTOs could be used). These would give control over the output voltage or power.

There are common places to fit fuses in rectifier circuits. The RMS current at these positions varies depending on the cycle amount the current will be flowing. This is described for diodes, but for controlled circuits these values may be different. However, they will not exceed those shown, as this is the same as the controlled device being permanently in an ON state. The most common arrangements are shown in the following schematics.

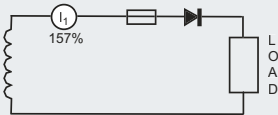
The pros and cons of locating fuses in each of the positions will be considered in the detail for each of the configurations later.

Circuit1 is not often encountered in power electronics systems. The half wave output would be inefficient with much distortion reflected to the supply.

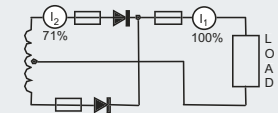
Typical rectifier circuits

Fuses are RMS-devices and based upon the 100 percent output DC-load current average, the relevant RMS-load currents I_1 , I_2 and I_3 can be found.

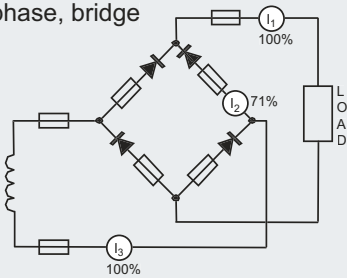
1. Single-phase, half wave



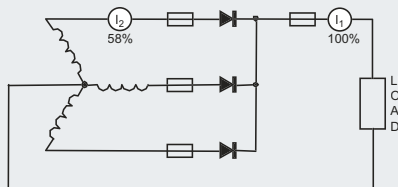
2. Single-phase, full wave, center tap



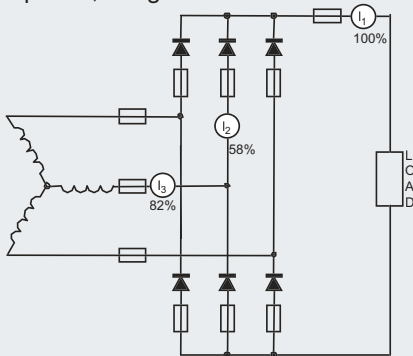
3. Single-phase, bridge



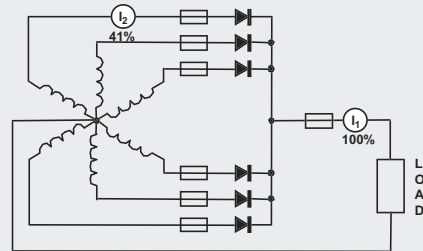
4. Three-phase, Wye



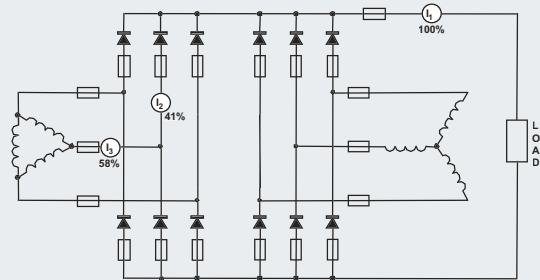
5. Three-phase, bridge



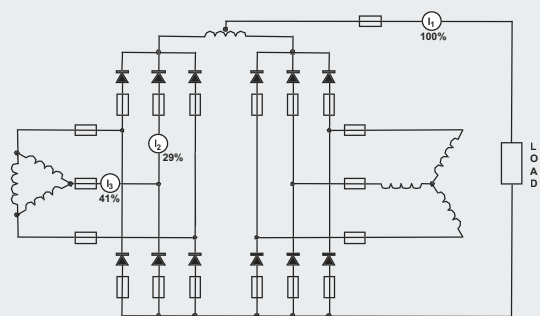
6. Six-phase, star



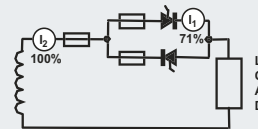
7. Six-phase parallel (without IPT)



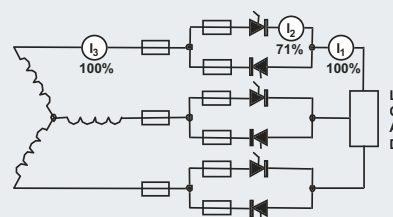
8. Six-phase parallel (with IPT)



9. Single-phase, anti-parallel, AC Controller



10 Three-phase, anti-parallel, AC Control



Protection by fuses

In principle, the fuse should carry all the required continuous current and any expected overloads, and when a fault occurs it should limit the energy passing through the semiconductor to a value that prevents damage.

Internal and external faults

As can be seen in the schematics, fuses may be placed in different circuit positions. Fuses may be placed in series with the semiconductor devices, in the supply lines, and sometimes in the output lines. Only the fuses in the legs of the bridge will allow maximum semiconductor steady state current carrying capacity as the minimum fuse RMS current is in this location.

In the design of high power rectifier equipment, there are two types of faults that must be accounted for:

- A. **Short-circuit of an individual rectifier cell - generally termed an "internal fault." Failure to open in the circuit of a silicon power rectifier is rare. This type of fault, however, can be ascertained by the use of detection circuitry.**
- B. **The appearance of a short-circuit or excessive load at the output terminals of the equipment; generally termed an "external fault."**

Protection from internal faults

In order to protect healthy rectifier cells in the event of an internal fault, fuses should be placed in series with each rectifier cell.

Further consideration for rectifiers with parallel paths

It is important to point out that in the design of high power rectifier equipment, continuity of supply in the event of an internal fault is often a desired feature. The equipment must be designed to provide the required output under all load conditions with one or more semiconductor devices non-operative according to the manufacturer's specification.

To ensure continuity in the event of an internal fault, the fuse connected in series with the faulty arm of the bridge must open and clear without opening other fuses connected in series with healthy rectifier cells.

In order to satisfy this condition, the total I^2t of the single fuse must be less than the combined pre-arcing I^2t of all the fuses in one arm of the equipment, namely :

$$I^2t_2 < I^2t_1 \times n^2$$

Where:

- I^2t_2 total I^2t of the single fuse
- I^2t_1 - pre-arcing I^2t of each fuse
- n the number of parallel paths in each arm of the equipment

Strictly, to allow for non-uniform current sharing in the parallel paths n should be replaced by: $n/(1 + S)$ where S is the uneven sharing, usually between 0.1 and 0.2 (10 percent and 20 percent).

In addition, should the design specify that continuity of supply must be maintained in the event of one or more devices being non-operative, the "n" in the above formula must be replaced by $(n - x)$, where x is the required number of non-operative cells.

Where "n" is less than 4, experience has shown that protection of the above nature is often difficult to achieve. In applications utilizing both line and individual cell fuses, a check must be made to ensure that the cell fuse selectively coordinates with the line fuse in the case of an internal fault (i.e., the total I^2t of the cell fuse must be less than the pre-arcing I^2t of the line fuse):

$$I^2t_1 < I^2t_2$$

Where:

- I^2t_1 = total I^2t of cell fuse
- I^2t_2 = pre-arcing I^2t of line fuse

Protection from an external fault

In the event of an external fault, it is undesirable to have all the individual rectifier fuses open. It is practice, therefore, to include a fuse in series with the supply line.

To ensure that the line fuse clears before the individual cell fuse, the total I^2t of the line fuse must be less than the combined pre-arcing I^2t of the fuses utilized in one arm of the equipment, i.e.:

$$I^2t_1 < I^2t_2 \times n^2$$

where:

- I^2t_1 - total I^2t of line fuse
- I^2t_2 - pre-arcing I^2t of each cell fuse
- n : cell fuses in parallel

Service interruption upon device failure

The majority of faults in low and medium power rectifying, and converting equipment, falls into this category. Fuses in series with the semiconductor devices, or in the supply lines, are used for protection against internal and external faults. Applications include:

1. Variable speed motor drives
2. Heater controls
3. Inverters
4. Low power rectifiers

Care must be taken in inverter circuits that correct DC-voltage ratings are chosen for each application. Also, DC faults can occur upon device failure in bridge circuits when other power sources feed the same DC bus, or when the load consists of motors, capacitors or batteries. Example 1 in the worked examples section illustrates the protection of a typical DC thyristor drive.

Non-interrupted service upon device failure

Service interruptions cannot be tolerated in large rectifying plant such as DC supplies for electro-chemical applications.

As discussed earlier, these applications employ several parallel paths ($n > 4$) in each leg of the rectifier. Each of these parallel paths are individually fused to isolate faulty devices (see worked example section). In applications where a large number of fuses are used, the detection of the open fuse is made easier by indicators on the fuses, which may be made to actuate a microswitch for distant warning.

Fuses under DC conditions

The inductance in a DC circuit limits the rate of current rise. The time spent for the current to reach 63 percent of the final value is called the time constant, also referred to in terms of L/R.

The rate of current rise influences the energy input rate that melts the fuse element. This influences both the fuse's melting time-current characteristic and the peak current let-through. For long operating times (greater than 1 second) the heating effect of an alternating current is the same as DC and the characteristics will merge. See Fig. 2.

Many circuits have the time constant of between 10 and 20 milliseconds and thus IEC specifications require testing between these values. Time constants longer than 20 milliseconds are not often found outside of traction third rail applications, where long rail lengths give extremely high inductance to resistance ratios. For short-circuit considerations, the value of the circuit time constant under fault conditions should be used. This may be different to the time constant during normal operating conditions.

In many rectifier circuits, even under fault conditions, a fuse will be subjected to an alternating voltage, or when only unidirectional the voltage will reduce to zero or close to zero on a regular basis as defined by the supply frequency. In these conditions, the extinguishing of the arc inside the fuse, under fault conditions, is assisted by the voltage reducing to zero.

When a fuse is applied in a purely DC application, the fuse arc extinction process will not be assisted by the reducing voltage or the voltage zeros of an AC situation. The inductance in the circuit stores electrical energy. This influences the manner in which the fuse arcing process reduces the current in the circuit, for reasons that are beyond the scope of this guide.

The voltage, under which the fuse can safely operate is dependent on circuit time constants. It should be noted that when the time constant is short, it may be possible for the DC-voltage rating to be greater than the AC-voltage rating (to IEC or UL). However, for most fuses the DC-voltage rating is 75 percent or less than the AC-voltage rating - and this DC rating decreases further as the circuit time constant increases.

The arc voltage generated by the fuse during operation will also vary with respect to the system voltage. The variation of arc voltage with respect to applied voltage will be different between AC and DC systems. However, in most cases, it is acceptable to use the data provided for AC conditions.

Unless special design features are included, fuses should not be asked to clear against low overcurrents in DC circuits. The performance in this area may be a limiting factor on fuse selection.

DC fed systems

The vast majority of applications involving DC fall into the type where an AC supply is rectified to supply a load. This load may be passive such as an electrolysis cell or complex as regenerative drive.

There are a number of circuit types that require special consideration. These include those with batteries or capacitors, and those where the motor drive is regenerative. In large electrolysis systems there are often considerations of parallel devices and fuses, this is covered elsewhere in this guide, as are regenerative drives.

Battery as a load

In principle, battery-charging circuits are similar to electrolysis systems.

Standard bridge configurations are normally used for these systems. Fuses may be positioned in the AC line, arm or the DC line. The use of arm fuses not only gives closest semiconductor device protection, but also protects the bridge against internal bridge faults and faults in the DC system.

In high current circuits the control of the current is often by phase control using thyristors. In lower power systems the fault current may be limited only by the impedance of the transformer's secondary side and the rectifier will be only diodes.

In the former, high fault currents can occur if the control to the thyristors fail. Selection of fuses for this type of circuit is like that for a DC drive (detailed elsewhere in this guide).

However, in a diode only system, in the event a battery is connected in reverse polarity, the fault current will pass directly through the diodes. The resulting fault current will only be limited by the internal impedance of the battery. Fast isolation is required to protect the diodes and to limit the I^2t in the diode.

Due attention has to be paid to the possible pulse duty for which a battery charger may be. Many controlled charger circuits have a high charge rate for a short time before a lower continuous rate is applied. Guidance on this aspect is given in the section on cyclic loads.

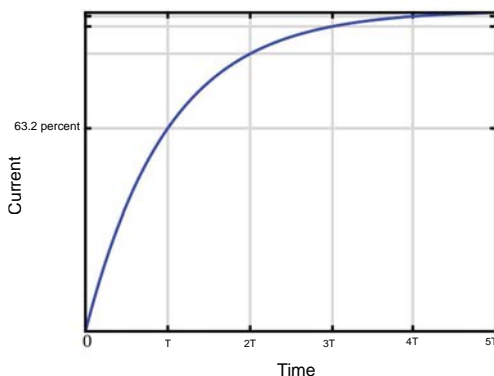


Figure 1

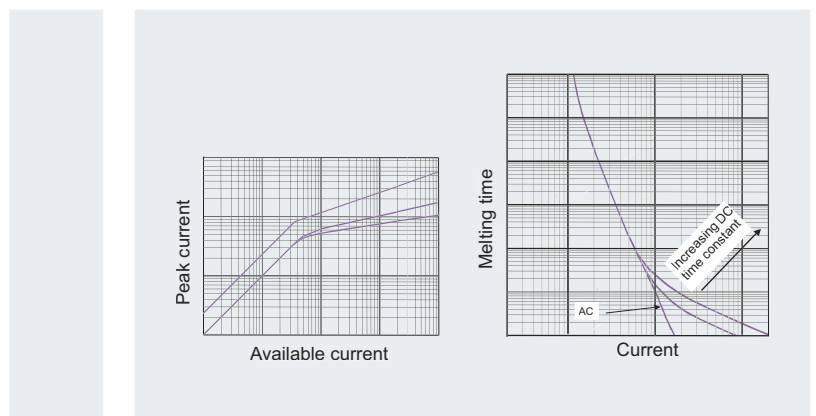


Figure 2

Battery as only source

The use of batteries is vast and increasing due to the demands for renewable energy where battery applications are common and essential as power storage devices.

Protecting a battery or batteries is particularly difficult due to battery characteristics under fault conditions. The problem is made more difficult by the huge number and variation of manufacturers and battery types available.

A high speed fuses can be a good choice to protect batteries under short-circuit fault conditions due to the superior current limiting effect of the fuse.

However, for a high speed fuse to operate effectively, it requires that the fault current is of a sufficiently high enough level to melt the fuse element quickly. The rate of rise (time constant) of fault current has to be fast enough to allow the fuse to clear the DC arc generated during fault clearing. DC fault conditions are difficult to fuse and misapplication can in some cases cause stress failure of the fuse. Fault current under short-circuit conditions is severely limited by the batteries own internal impedance and state of charge within the battery. If a battery is fully charged there may be sufficient energy to allow the fuse to operate, but as the battery loses charge this could reduce the level to well under that required by the fuse.

As with long time constants typically greater than 15ms insufficient fault current could cause a similar failure of the fuse. Fault currents applied to the fuse that fall above the A-A line at the dotted area of the time current curve would be of major concern.

It is essential that all the possible battery parameters are known before attempting fuse selection for battery protection. Details of the battery and data sheets should be obtained from the manufacturer. It may be required that the selected fuse can only be used providing the batteries are sustained at a certain level of charge and the manufacturer can guarantee a short-circuit time constant in the event of a short-circuit.

A high speed fuse will, of course, only provide short-circuit protection. For cable protection, a more general purpose fuse should be applied that is able to operate under low overload conditions. This causes other problems as general purpose fuses are often not able to handle DC voltages to the same degree as high speed fuses. A sustained low overload fault at high DC voltages may require a fuse specifically designed for DC applications to provide safe reliable fuse protection.

Please contact Eaton's application engineering (bulehighspeedtechnical@eaton.com).

DC application of Eaton's Bussmann series square body AC fuses

The information below applies specifically to the 660V, 690V, 1000V, and 1250Vac series of standard Typower Zilox fuses, when these fuses have not specifically been proven and have not been specifically assigned a DC voltage capability.

These fuses can also be used in circuits where DC faults occur. However, due care must be taken in the selection process. It is recommended to prove the fuses after following the selection process described below as this is only a guideline.

The interrupting capability of the fuse depends on the combination of the:

- Applied DC voltage
- Circuit time constant (L/R)
- Minimum prospective short-circuit current, I_{pmin} , of the circuit
- Pre-arcing I^2t of the fuse selected

To correctly apply a fuse, a factor F that relates the melting I^2t to the prospective current must be used.

In order to determine factor F in Fig. 3, use the curves in figure 1 or 2. Figures 1 and 2 show the dependency of the maximum applied DC voltage on L/R, with 3 levels of I_p as a parameter indicated as 1, 2, and 3. Select the curve 1, 2 or 3 by choosing the curve above the point from the known available voltage and circuit time constant

If no curve exists above the voltage-L/R point then a fuse with a higher AC rating than 1250V must be chosen. – Contact Eaton's application engineering for assistance (bulehighspeedtechnical@eaton.com).

Factor F is found in Fig. 3 as a function of the circuit L/R and the selected curve 1, 2, or 3 as parameter.

To check if the minimum level of available current (I_{pmin}) in the actual DC circuit is

in accordance with the selections made in Fig. 1 or Fig. 2, the following condition must hold true:

$$I_{pmin} \geq F \times \sqrt{I^2t} \text{ [A]}$$

Where I^2t is the pre-arcing integral (from cold) in A²s of the fuse in question, and it is important the fuse is capable of interrupting this minimum current.

In Fig. 4, the peak arc-voltage of the fuse in worst case situation can be found as a function of applied DC voltage.

Note: Note: Where fuses in a catalog series have a reduced AC voltage capability, the DC voltage capability will be reduced by a similar percentage. E.g., 2000A size 3 from the 690V range has an AC voltage rating of 550V so the DC voltage rating will be reduced by 20 percent.

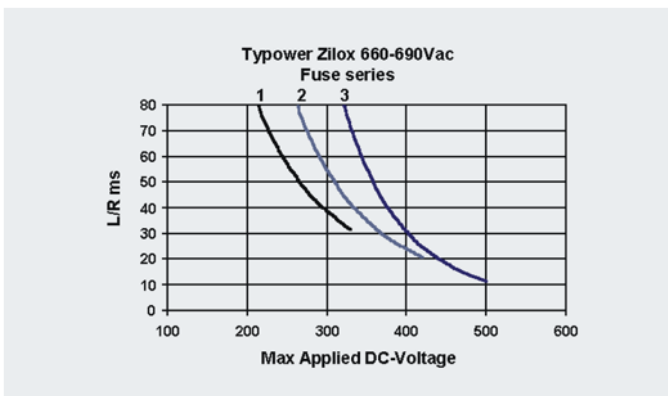


Figure 1

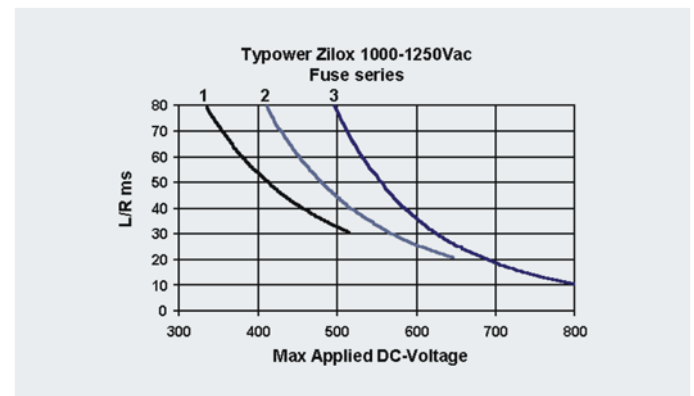


Figure 2

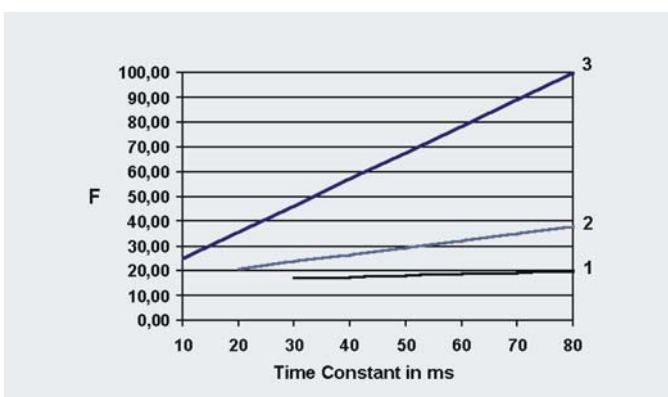


Figure 3

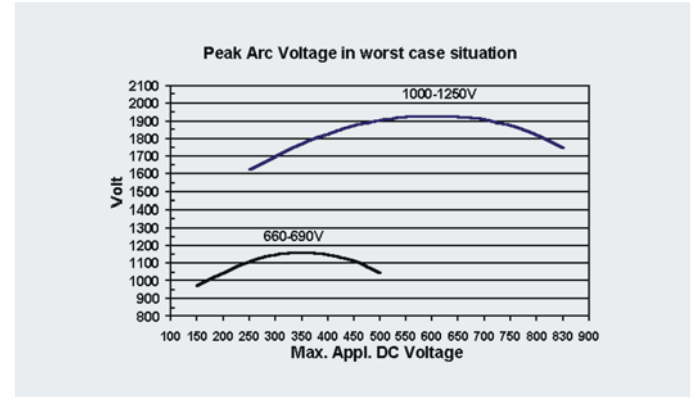


Figure 4

Calculation example

Typower Zilox 1100A, 1250V, AC, 3/110, 170M6149, 575,000 A²s (pre-arcing integral).

Applied voltage E = 500Vdc

Prospective current $I_p = E/R = 500/16 = 31.3 \text{ kA}$

Time constant $L/R = 40\text{ms}$ (0.64/16)

Using Fig. 2, it is found that having 500V as applied DC voltage with $L/R = 40\text{ms}$, curve 1 has been passed, and this leaves us with curve 2 in order to be on the safe side.

From Fig. 3 we find F = 26.5 based upon the combination $L/R = 40\text{ms}$ and curve 2.

Together with the pre-arcing $I^2t=575,000 \text{ A}^2\text{s}$ of the actual fuse, this calls for:

$$\text{min. } I_p = 20\text{kA} \quad (26.5 \times \sqrt{575,000})$$

Checking with the actual circuit parameters, it can be seen that the breaking capacity of the selected fuse holds true, having the following main parameters fulfilled:

1. The maximum applied DC voltage is 500V
2. The time constant L/R is 40ms, up to 46ms could be allowed, OK and
3. Minimum of $I_p=20\text{kA}$ is needed, having actually 31.3kA is OK.

The peak arc voltage generated by the fuse can be found to be lower than 1900V, according to Fig. 4.

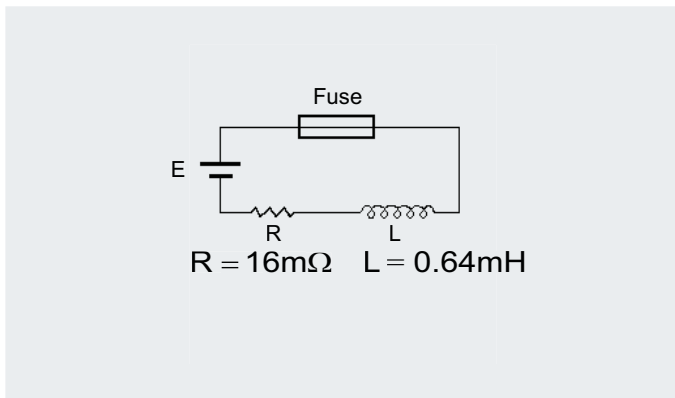


Figure 1

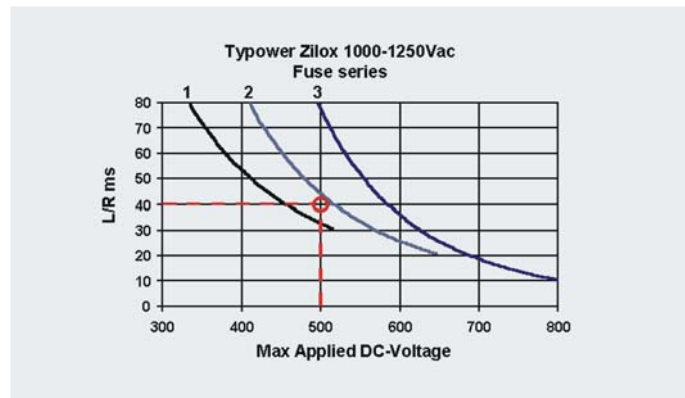


Figure 2

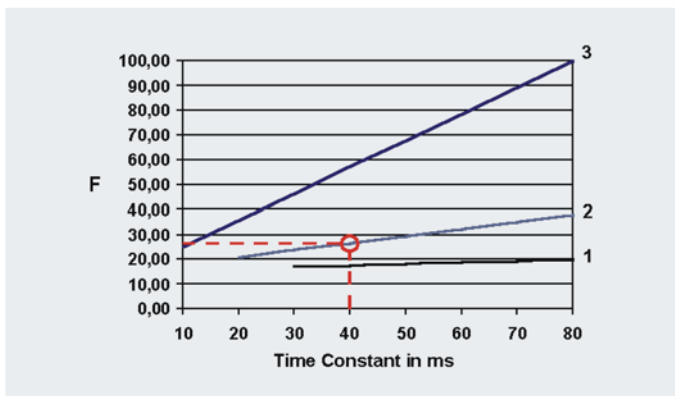


Figure 3

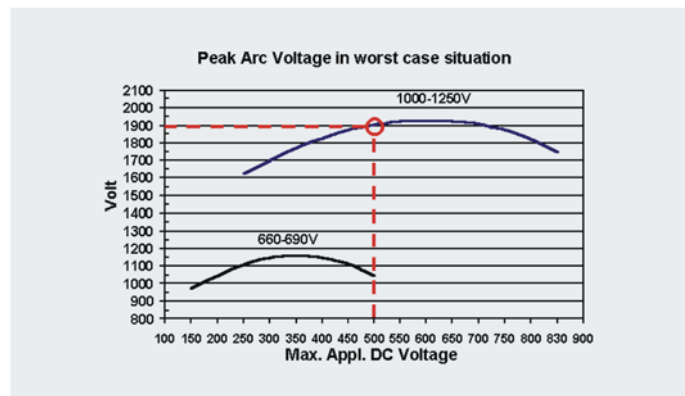


Figure 4

Photovoltaic systems

Photovoltaic (PV) systems present special cases for fuse protection.

The requirement to use fuses in PV systems is included in the installation requirements for many countries.

Fuses for such installations should meet the requirements of EN 60269 Part 6 (2010). In PV systems it is important to protect the PV panels from excessive current in the event of a failure of one of the PV modules or panels. In most systems, the available current is extremely limited, so only gPV fuses should be employed to protect strings. Eaton's Bussmann series gPV fuses are capable of interrupting very low overcurrents at full voltage.

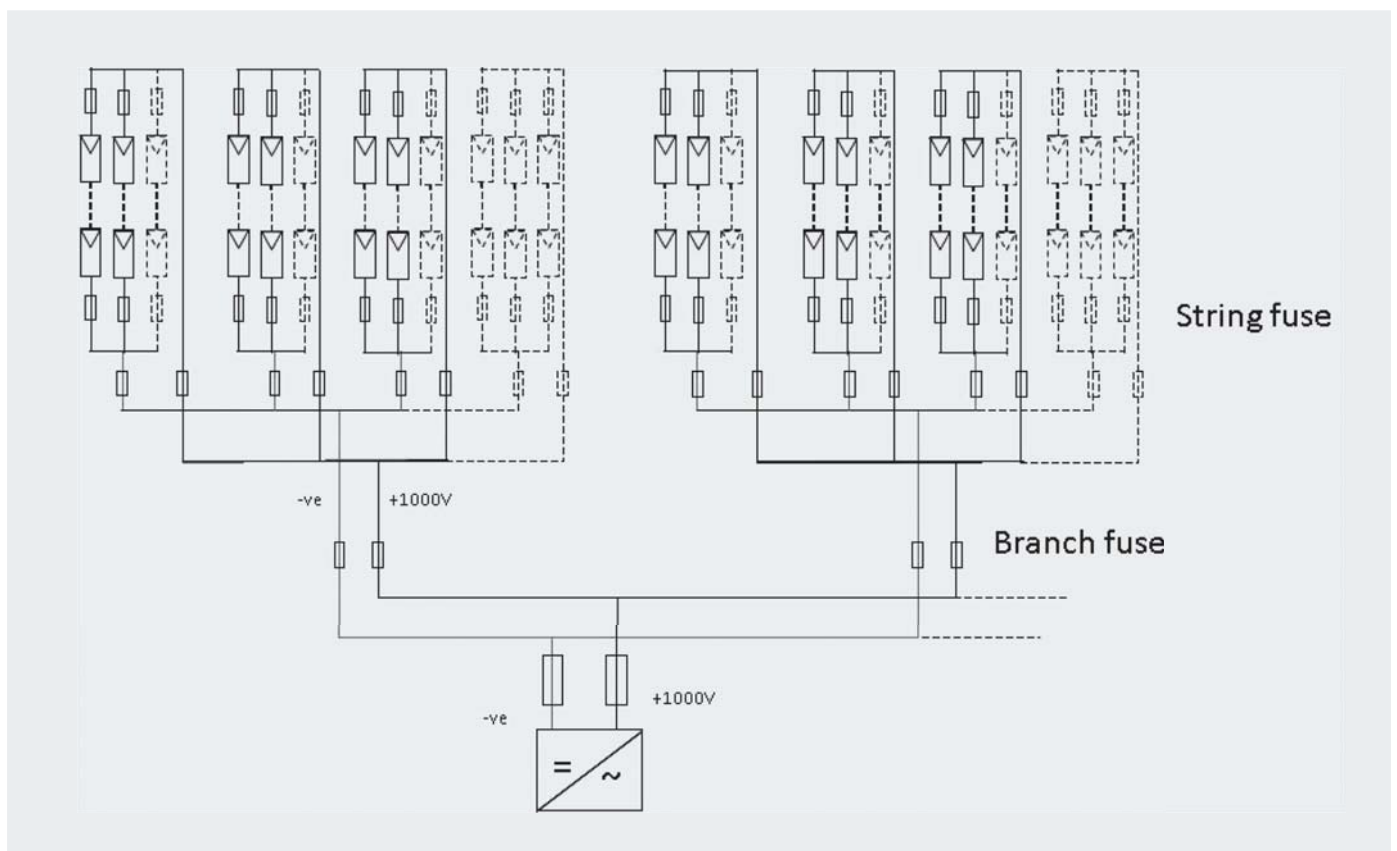
However, in the event of a fault on the system and within the inverter, the fuses are also capable of interrupting high fault currents.

Selecting the fuse with the correct current and voltage rating is similar to that of selecting any fuse. The fuse must be capable of interrupting the highest available voltage in the system and at the lowest available current (when the PV panels are coldest). However, the fuse must also have a current rating sufficient for the highest current available (hottest panel at high illumination) with due regard to ambient temperature, cyclic loading, mounting arrangements and altitude as explained in this guide.

Eaton recommends always using fuses in each string and one in the positive and one in the negative lines however many "strings" are used in the system

In large systems it may also be necessary to use larger gPV rated fuses in a "branch" situation to protect the cables, such a position may be referred to as branch, intermediate or array fuses.

For suggested reading on this subject, please consult Eaton's Bussmann series photovoltaic application guide www.eaton.com/bussmannseries



Fuses selection for protecting regenerative DC-drives

In principle, the fuse should carry all the required continuous current and any expected overloads, and when a fault occurs it should limit the energy passing through the semiconductor to a value that prevents damage.

To select the rated fuse voltage, the types of faults that can occur in the equipment must be known.

The fuses could be applied as F2 fuses only, or as F1 + F3 fuses.

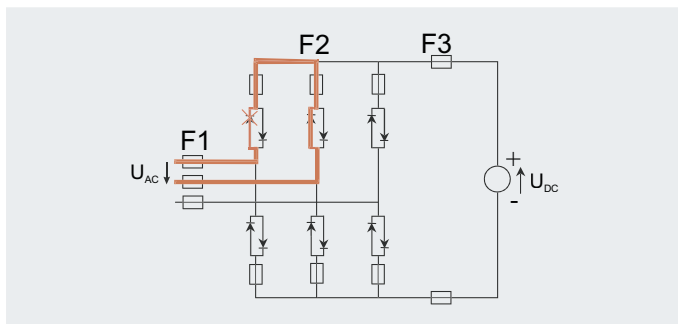
In rectifier operation there are three possible fault types.

Conclusion on the rectifier mode

In all three fault types, the short-circuit current will pass through two fuses in series. This means that the two fuses will normally help each other in clearing the fault. Nevertheless, for safety, as a minimum, the rated fuse voltage U_N has to be selected according to $U_N \geq U_{AC}$ (pay attention to the commutation fault situation). When it comes to protecting the semiconductor and the I^2t calculation, it is an advantage to have two fuses in series. In the short-circuit path, if the prospective current is very large, the I^2t can be calculated with almost equal sharing of the fault voltage. At smaller fault current levels it is not considered safe to use total equal voltage sharing. Normal procedure is to use 1.3 as a safety factor. Hence, the I^2t values are calculated at:

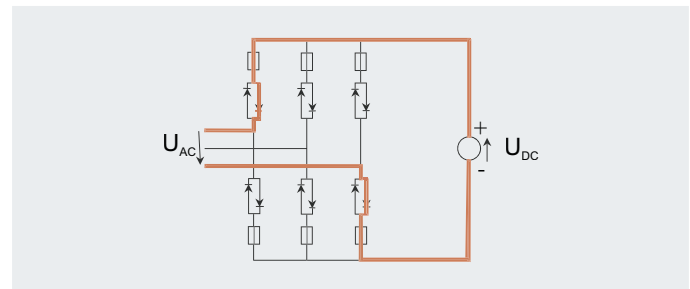
$$U_{AC} \times 0.5 \times 1.3 \sim 0.65 \times U_{AC}$$

There can also be three fault types while operating in the regenerative mode.



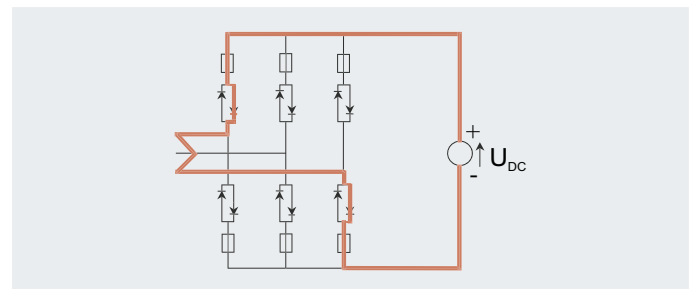
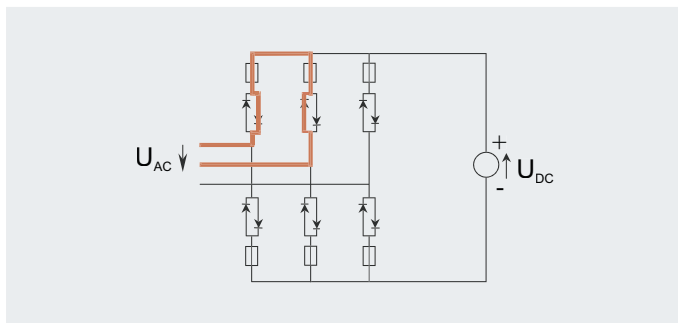
Internal fault

This fault is due to a thyristor losing its blocking capacity, leading to a short-circuit between two AC lines.



Commutation fault

This fault is due to a thyristor losing its blocking capability while there is a direct line-to-line voltage across it. This leads to a short-circuit where the AC-voltage is superimposed on the DC-voltage.

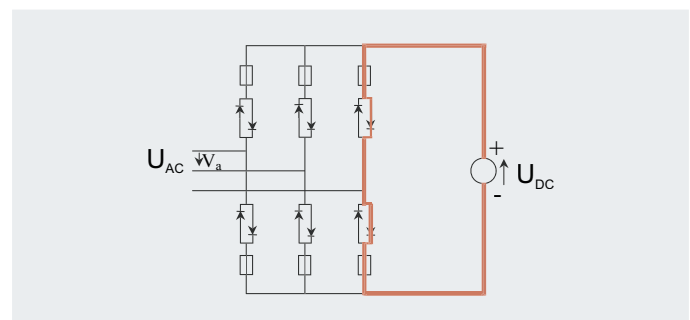
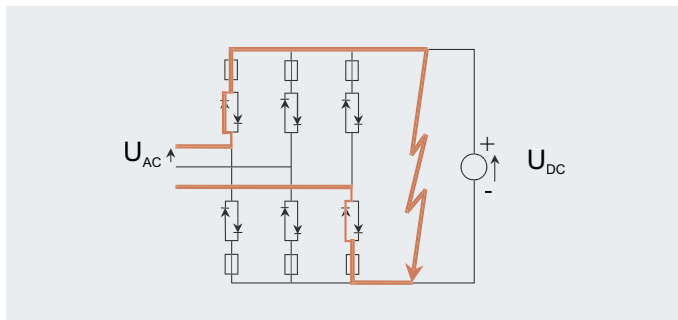


Cross-over fault

This fault occurs when a misfiring of one of the thyristors in the inverter bridge results in an AC line-to-line short-circuit.

Loss of AC-power

If the AC-voltage fails, a short on the motor acting as a generator occurs through the thyristors and the transformer.



External fault

This fault is due to a short-circuit on the DC output side (motor flash-over for example). The applied fault voltage is again equal to the AC line-to-line voltage.

DC shoot-through

This fault occurs due to one thyristor misfiring and leads to a DC short-circuit.

Conclusion on the regenerative mode

As it can be seen from the fault circuit, there will also (in all three fault types) be two fuses in series, but the fault voltage greatly differs.

During the commutation fault, the fault voltage is the AC-voltage added to the DC-voltage. In the worst case, the peak voltage will be about:

$$0.8 \times 1.35 \times U_{AC} + U_{AC} \times \sqrt{2} \approx 2.5 \times U_{AC}$$

Generally, the fault voltage is half a sine wave at a lower frequency. E.g., the RMS value of the fault voltage will be about:

$$2.5 \times U_{AC} \times 1/\sqrt{2} \approx 1.8 \times U_{AC}$$

Though this type of fault is very rare, it will dictate the dimensioning voltage for the rated voltage of the fuse in this system, meaning the rated fuse voltage should be in accordance with:

$$U_N \geq 1.8 \times U_{AC}$$

If an I^2t calculation is needed (mainly done for internal fault only), the dimensioning I^2t voltage having two fuses in the same short-circuit path will give:

$$U_N = 1.8 \times 0.5 \times 1.3 U_{AC} = 1.2 \times U_{AC}$$

For the other two fault types under inverter operation, the fault voltage will be a pure DC-voltage. Normally, the maximum voltage will be:

$$0.8 \times 1.35 \times U_{AC} = 1.1 \times U_{AC}$$

A normal AC fuse can operate under DC conditions with some limit to the supply voltage, the minimum available fault current, and the time constant.

Please refer to the section DC Application on Eaton's Bussmann series AC fuses.

During the DC shoot-through fault, the only impedances in the circuit are in the motor and inverter branch. The minimum prospective fault current is normally very large and the time constant in the circuit is small (e.g., 10 to 25ms). Under this condition, having two fuses in series, the I^2t value is normally equal to the value obtained under AC at a voltage level of:

$$UDC \times 1/\sqrt{2} = 1.1 \times U_{AC} \times 0.5 \times 1.3 \approx 0.5 \times U_{AC}$$

In order to be certain, all data should be available for the motor and other impedance in the circuit.

In case of a reduced or total loss of the AC power, the condition is worse. The fault current level can be very low and the impedance of the transformer gives large time constants.

In order to suggest fuses that can function under these conditions it is necessary to have information not only on the motor and the inverter impedance but also on the transformer.

Summary of Voltage Selection for Regenerative Drives: (4Q-Service)

Combination of line voltage and load voltage requires:

Fuse voltage U_N $1.8 \times U_{AC}$ (line-to-line)

e.g.,

- 110V System: 200V fuse
- 380V System: 690V fuse
- 690V System: 1250V fuse

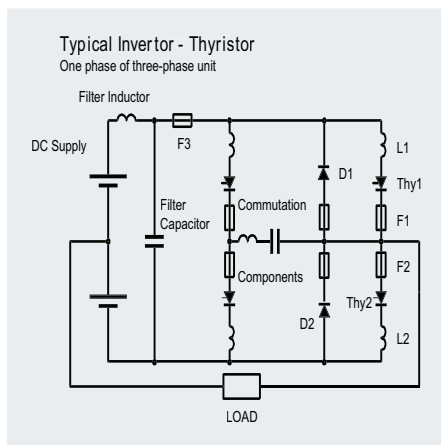
For further guidance, please contact Eaton Application engineering department: bulehighspeedtechnical@eaton.com.

Protecting inverters

There are many equipment types used to convert DC current to AC current (the DC current may have been created by an AC current rectifier).

Such applications include variable speed AC drives and un-interruptible power supplies (UPS).

All these inverters work by switching the DC current ON and OFF in a predetermined manner. Early inverters using thyristors were often of the McMurray form (see diagram). Once turned ON, thyristors continue to pass current until the voltage across them is reversed using numerous components to commutate the devices. The commutation thyristors also required protection.



Even with fuse protection in the DC link at F3, it is best to use device protection for the thyristors at F1 and F2. To ensure protection in these circuits, it is essential to use the fastest fuses available (and still meet all the current dimensioning) which are also rated with a DC-voltage capability at least as high as the DC link voltage.

The key to fuse selection in inverters is to select the highest speed available that will meet the current and voltage dimensioning requirements.

Voltage selection

Fuses in the inverter must have a DC voltage rating of at least the supply link voltage. Even though in most fault conditions there will be two fuses in series, these will not share the voltage equally. Also, in some fault situations the voltage on the DC link may exceed the nominal value by up to 30 percent for a short time.

Current selection

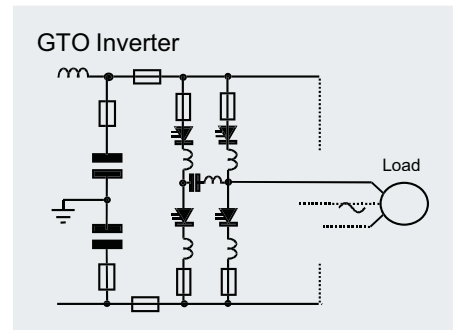
As shown in the inverter circuit schematics, there are several locations to place fuses. As with DC drive circuits, the use of link fuses, or DC line fuses, results in the highest current rating and closest protection is located by individual devices.

As inverter circuits contain high frequency components to the current, and the physical arrangements are compact, proximity effects may influence the fuses and further allowance must be made for current carrying capability.

I²t Selection

Due to the magnitude of the fault current from the capacitor and small inductance in the circuit, the current rise rate may be very high. Selection of suitable I²t criteria is not easy as device data may not be available for times below 3 milliseconds, nor fuse information may not be provided for these conditions. Fuse performance will also vary slightly depending on the capacitor size, the circuit inductance and resistance and DC link voltage. Selection by choice of the lowest I²t fuse that will meet the current dimensioning requirements will be the best way to ensure device protection. Even if device protection is not ensured, this fuse selection will certainly limit the damage to all the circuit components.

It is also important to select a low I²t fuse, and especially if the capacitor is a low value. When a short-circuit occurs in the inverter, the current rises rapidly to a peak and will then decay, the waveform is classical of capacitor discharge. It is important that the fuse has opened and cleared before the voltage on the capacitor has decayed to a low value. If the fuse was to operate at a low voltage on the capacitor, the fuse may not have developed sufficient insulation resistance to withstand the DC link voltage when it is replenished from the supply.



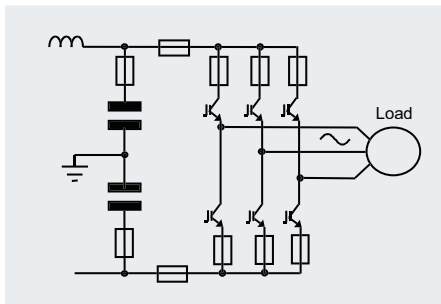
With the developments of GTOs, it was possible to switch the current OFF without the use of commutation components. It should be noted that with reducing the complicated trigger (firing) circuits, considerable space and costs were saved and energy losses were reduced, too.

Although GTOs are more expensive than thyristors, the component reduction more than compensates for this. In terms of protection there is little difference in the selection parameters. However, the GTO circuits are inherently more reliable with fewer power components to protect.

IGBT as switching device

The advent of the IGBT as a switching device has made control circuits much easier and power dissipation in the power switching sections reduced. The higher switching frequency capability and ease of control allows more efficient use of the pulse width modulation techniques, as well as improved quality of the output waveform.

IGBT inverter



However, the IGBT circuit has some different protection problems.

In order to reduce switching losses, the inductance of the filter capacitor and IGBTs has to be as low as possible. This is achieved by careful busbar arrangements that often preclude using fuses.

Due to the design of the silicon switching element, an IGBT module can limit current for a short period. In addition, it is often possible to detect fault currents and switch the IGBT OFF before damage occurs. However, if the IGBT is not switched OFF before the device is damaged, the silicon will melt and vaporize.

With plastic IGBT modules, there is another failure mode that occurs before the silicon melts. The internal connections to the IGBTs and other components are thin aluminum wires. Under fault conditions, these wires melt and arc, causing the module case to become detached from the base. In some cases, there is damage to the module case. Protection must, therefore, be about protecting the wires and the module case as well as the devices. Unfortunately, there is often no I^2t data provided for IGBT modules.

Protection of drive circuits

If damage is caused to the IGBT device or connecting leads, the gate control circuits may become involved with the high voltage and current of the power circuit. To avoid, or at least limit, damage to the control circuits, miniature fuses with a high interrupting rating should be used in the drive circuits. Low interrupting capacity glass fuses are not suitable.

Bi-polar power transistors and darlingtontons

It is difficult to protect power transistors with fuses. The power transistor usually operates extremely close to its power limits of current and voltage. Only a short excursion beyond the safe operating area will damage the functional aspect of the transistor and even high speed fuses will not react fast enough to protect the device. However, like IGBTs, when the function of the transistor is lost the current is only limited by the low resistance of the damaged silicon and very high currents result. These will melt any connecting wires and will, in the case of press pack configuration, eventually melt the silicon. The resultant arcs will cause the packaging to fail with catastrophic results. Even though device protection cannot be offered by fuses, it is still essential to use fuses to prevent case rupture and provide circuit isolation.

Worked examples

The previous information can be best understood by studying typical examples and how to select the appropriate Eaton's Bussmann series fuses to meet the necessary requirements.

Example 1 — DC thyristor drive

Basic information

1. 500 Hp Variable Speed Drive.
2. Motor, nominal DC-voltage - 660V.
3. Motor, maximum DC current - 600A.
4. Supply transformer 750kVA, 5 percent impedance.
5. Supply voltage - 480V RMS.
6. Overload protection is provided by current limit circuit (direct control of thyristor firing) with a response time of 25 milliseconds.
7. The equipment has to operate at a maximum ambient of 40°C, convection ventilation.
8. The circuit used is a 3-phase thyristor bridge with one thyristor per leg.
9. Thyristor particulars: I²t rating 120,000 amp²sec, Peak reverse voltage withstand U_{rrm}=1600V.
10. No details of cyclic loading are to be included for this example

Basic design

For best protection, device protection with six fuses will be examined (one each Thyristor).

Since the fuses are for short-circuit protection only, this is simply a question of coordinating the I²t, peak current and maximum RMS fuse current ratings. Maximum RMS current through each thyristor is given by the appropriate factor for the circuit layout, multiplied by the DC load current

$$= 0.58 \times 600$$

(Fig. 5 in the section Typical Rectifier Circuits)

$$= 348A$$

From the catalog a fuse of around 400A with an appropriate physical type is selected. For the application a fuse from the square body fuse type is required. From the data sheet for size 00 fuses rated at 690V and 400A is initially chosen. From the temperature rating graph, Fig. 1 in the section "Rated Current Dimensioning", a derating to 90 percent is required at 40°C. No other thermal derating factors will be required.

$$0.9 \times 400 = 360A$$

As this is above the required 348A and its rating would be appropriate.

Next, the fuse I²t has to be confirmed as less than the withstand of the device.

For the 400 A fuse of body size 00 the total I²t is 125,000 at 660V. By observing the factor for I²t with respect to applied voltage on the data sheet it can be seen that the I²t at 480V will be only 0.7 of the value at 660V, or 87,500, which is well below that of the thyristor withstand.

A check of the arc voltage graph on the data sheets confirms that the fuse arc voltage of 1000V will be below the 1600V voltage rating of the thyristor.

Thus the fuse selection of the type 170M2621, body size 00, 690V, 400A, 80mm fixing center can be made. If the power loss of the equipment is critical and there are no physical constraints it may be possible to utilize an alternative solution.

By selecting a higher current rating fuse and using it at a current well below its capability, it will give considerable lowering of the power dissipation.

For this example we can choose a body size 2 fuse of 500A rating. Although the I²t is 145,000 at 660V, this will be reduced to 101,000 at 480V as described above. The power dissipation of the 400A fuse at 348A (87 percent) will be reduced to 80 percent of the 70 watts shown on the data sheet, or 56 watts.

If the 500A body size 2 fuse is used at 348A (70 percent) the 75 watts shown on the data sheet will be reduced to 45 percent or 34 watts.

As six fuses are used, the total power saving by using physically larger fuses will be 132 watts.

Example 2 — DC supply with redundant diodes

A rectifier is to provide a 7500A, 80Vdc supply from a 50Hz source.

Basic information

1. 3-phase diode bridge, six parallel diodes per leg
2. 100 percent overload for 1 minute
3. 55°C ambient-maximum. Air-flow of 4 m/s supplied
4. Bus-bars based on 1A/mm²
5. Diode rating : A. Maximum mean rating (free convection, specified heat sink) 1000A B. I²t rating, 10 milliseconds - 1,000,000 A²s, Peak reverse voltage withstand U_{rrm} = 500V.
6. Maximum prospective AC fault current = 125,000A RMS symmetrical

Protection requirements

Fuses must protect the diodes against internal faults, isolating faulty diodes without interrupting the supply.

Design details

To protect this application requires device fuses. Maximum RMS fuse current (allowing for one defective diode, n-1 = 5 ; and sharing factor of 90 percent) Load current x factor for rectifier circuit / 0.9 / number of good paths

$$7,500 \times 0.58 / 0.9 / 5 = 966A$$

The selected fuse must have a current rating above 966A after any other thermal deratings are applied - which are required for high ambient temperature and air cooling. The 1Amm-1 busbar does not need any adjustment.

From the section on Rated Current Dimensioning we find factors of K_t = 0.85 due to ambient temperature and K_v = 1.2 for 4m/s air flow.

The rated current I_n of the selected fuse must be greater than:

$$I_n \geq 966 / 0.85 / 1.2 = 947A$$

For the low voltage application, with a low peak reverse voltage diode, a fuse from the low voltage British or USA range is required.

To achieve 950A in the 240 volt British range it would be necessary to use three fuses of 350A rating. To avoid using parallel fuses, the FWA product should be chosen. It is this option that will be considered for the overload considerations.

Overload

The selected fuse must also carry extra 100 percent (or twice rated) current for 60 seconds, once a month. As this is only an occasional overload, it should be possible to select a fuse up to 80 percent of the time-current curve at the 60 second operating time. Put another way, the fuse must have an operating current greater than:

$$966 \times 2 / 0.8 = 2415A$$

At the 60 second operating time, clearly the FWA-1200AH is suitable for this application.

Arc voltage

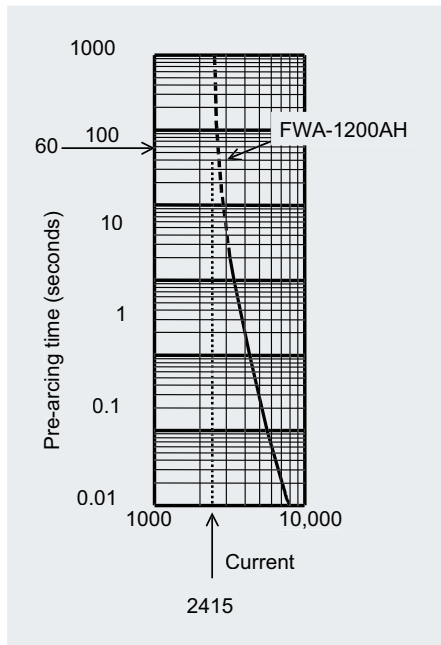
From the data sheet for the chosen fuse, the arc voltage of 190V can be seen to be less than the 500V reverse voltage capability of the diodes chosen.

Short-circuit protection

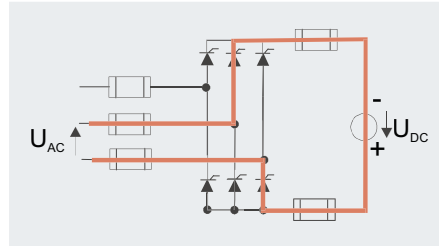
The I^2t of the FWA-1200AH is 730.000A²s at 130 volts, the I^2t will reduce with lower voltages. From the data sheet it can be seen that the reduction at 80 volts is to 75 percent, or 548.000A²s.

To ensure continuity of supply when a device fails, the total I^2t of the fuse in series with the faulty device must be less than the combined pre-arcing I^2t (240.000A²s each) of all the six fuses in series with the fault (in a different arm of the bridge)

That is $548.000 < 6^2 \times 240.000 = 8,640.000A^2s$ confirming the suitability to protect the devices suggested.



Example 3 — Regenerative drive application



Typical application

High inertia drive, using a 500Hp DC motor, supplied from a three-phase 380Vac grid.

To simplify the application, assume the busbars are adequately rated at between 1 and 1.6A/mm².

Assume air cooled system with ambient temperature of 35°C with no additional air flow.

Although expected overloads will be cyclic, regenerative drives would not be cost effective if the load was not stopped regularly. For simplicity, the cyclic loading details will not be included in this example. In practice, the rules for cyclic loading explained in this guide should be followed and applied to the current rating as well as the ratings described here. A 380Vac supply will give a nominal DC-voltage of 500V from a six-pulse bridge.

A 500Vdc, 500 Hp motor will have a motor current of approximately 750A.

The best place to fit fuses will be in series with each device (device or arm fusing). The current in each arm will be $0.58 \times 750 = 435A$.

For ambient derating we find $K_t = 0.94$ making the minimum fuse current rating $435 / 0.94 = 462A$. The next rating available above this should be chosen. In most product ranges this will be 500A.

Consideration of voltage rating

The worst case for voltage rating in a regenerative drive is a commutation fault. Therefore a fuse is required with an AC-voltage rating of at least $1.8 \times 380 = 684V$ (see selection of the fuse for the protection of regenerative DC-drives) and for this we would select a 690 volt fuse.

Selection of fuse is then based on mounting arrangements, physical constraints and approvals required, etc.

Note on voltage rating

If the drive system was to align with the international standard voltage (not the old voltages) the drive should be rated to be supplied with a 400Vac supply with the DC voltage maintained at the same voltage by phase angle control of the bridge devices. In this case, using a 690 volt fuse would then be unsuitable and selecting a higher voltage fuse would be required.

Appendix 1

International Standards and Eaton's Busmann series product range

For many years there were no specific international standards for high speed fuses. Over time, as more manufacturers produced these fuses, a number of dimensional arrangements became commonplace. High speed fuses are now becoming a mature product and international standards have been developed to include the test methods and dimensions..

In Europe

The test requirements of BS88 Part 4 (1976) were the same as IEC 60269-4, with dimensions included for high speed fuses in common use in the UK. IEC 60269-4 included test conditions for AC and DC circuits that were more suitable for high speed fuses than those for industrial circuits. The German VDE specification 0623 Part 23 was specific to the testing of high speed fuses, dimensions were included in DIN 43620 (the same as industrial fuses) and DIN 43653 (European high speed square body). Cylindrical fuses were usually dimensionally to French NF C63211.

The latest version of EN60269-4 includes dimensions from all previous European and USA standards for high speed fuses and also includes standardized testing for fuses used in voltage sourced inverters (VSI). This standard now supersedes all these previous standards.

In the United States

Common dimensions became an "industry norm" but until these commonly used dimensions were included in EN60269, they were not included in a published standard. Testing was performed to either customer specifications or when UL component recognition was required and the tests performed would be similar to those of various UL specifications.

The specifications now define test conditions and methods. Although these conditions are similar, there are some small differences that are beyond the scope of this guide. The major difference between the UL and IEC specifications is that of voltage rating. This difference is common to many electrical specifications and is based on a long historical background. Briefly, European standards require voltage testing at some tolerance above the rated voltage of the components, thus proving a safety margin. Practice in the USA requires testing at the rated voltage. Hence, it is design practice to use the maximum voltage available for dimensioning the rated voltage of components.

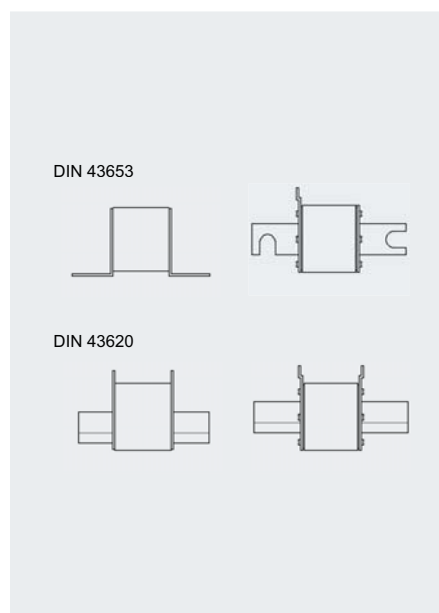
Eaton's Busmann series product range

Various fuse constructions originate from different centers in the world. Eaton manufactures high speed fuses in Europe and the United States. Since the late 1950s, standards have been developed in the above regions for fuses used in the protection of semiconductors. As a result, Eaton's Busmann series high speed fuse links can be grouped in four world-recognized standards:

- European Standard — Square Body
- European Standard — Round Body BS88 (British Standard)
- US Style — North American Blade and Flush-End Style
- Ferrule Fuses — Cylindrical

European standard

In Europe, outside of the United Kingdom, two types of mounting have proved to be the preferred in applications requiring high speed fuses - namely blade type fuses and flush-end versions.



Blade type fuses

In Europe, two German standards for the fuse mounting cover most normal styles for Eaton's Busmann series blade type high speed fuses. They are:

- The DIN 43620 style is used for gG fuses (previously referred to as gL). It is also used for high speed fuses. However, parts of a high speed fuse typically reach higher temperatures during continuous operation than a normal gG fuse. As a result, the DIN 43620 style high speed fuses cannot get a sufficient rating if their holder temperature limits are not to be violated. Knives with holes for mounting fuses directly on the busbar are the solution to this issue.
- The DIN 43653 standard came in 1973 with the possibility of mounting the fuse directly on the busbar. Also new holders appeared at the same time. For the most common voltage ratings, fuses with blades according to DIN 43653 will always have fixing centers of 80mm or 110mm.

Flush-end contact type

Like the DIN 43653 style, the flush-end style has proved to be a very efficient and popular high speed fuse. The reason is its installation flexibility. This style is also selected because the current carrying capacity is the most efficient of all fuse types. This is now an industry standard style and is included in the international standard IEC 60269-4-1.



British Standard – BS88

Not surprisingly, this type of mounting has found its use mainly, but not exclusively, in the United Kingdom and in British Commonwealth countries. Also, North America manufacturers have begun to specify British style fuses - particularly in applications like UPS equipment with voltages of 240V or less. The advantages are the size, performance, and cost benefit. Utilizing the dimensions given in the BS88 Standard for high speed fuses, which are not physically interchangeable with Industrial fuses to the same standard, has proven to be a very popular and cost competitive solution for high speed fuse applications.



US Style – North American blade and flush-end style

Over the years, the North American market has adapted its own mounting style for high speed fuses. Although no published standard exists for these as yet, the industry has standardized on mounting centers that accept Eaton's Bussmann series fuse links.

In many ways, the US Style fuses are similar to the European Style. They are made in both blade and flush-end versions, but two major differences distinguish the two: US Style fuses are usually made in mineral fiber tubes. The fixing centers for US Style fuses will vary depending on both rated voltage and rated current.



Cylindrical fuses

Often referred to as ferrule fuses, this style is internationally used and accepted. The fuses that Eaton manufactures in most cases have dimensions that meet IEC standard 60269. The standard dimensions are 10x38mm, 14x51mm, and 22x58mm, and Eaton supplies suitable modular fuse holders. These fuses have proven very popular for applications with ratings up to 660V/100A, due to their easy installation.



Appendix 2

Fuse reference system

Because of the many Eaton's Bussmann series high speed fuse varieties, the reference system is complex. The use of one particular reference system in Europe outside the United Kingdom, another one

in the UK and a third in the US has become a fact of life. On several occasions discussions have been held on changing all references and replace them with one. However, all systems have been around long

enough and the references so well known in the respective markets for particular styles that the decision was made to maintain the existing systems.

The following describes the Eaton's Bussmann series reference system in detail — style by style.

Reference system for European high speed fuses

A typical fuse from our European Range could have a part number like 170M3473. However, this will not give any guide to what rating or mounting this fuse will have. Here, the user will first need to know the rating, but the mounting is also of interest. So we use a Type Description to determine what style is in question. Fuses according to the German DIN 43620 standard are always listed by type. For example, DIN 3, DIN 00, etc. For other fuses, according to DIN 43653, flush-end types or special types, this description will reveal the actual type in question. For the reference given above, the type designation will be the following:

1*BKN/50

To interpret this Type Code we have made the following general guideline, that will cover most of the European fuses.

| Primary Code Pos. 1 | Optional Pos. 3 | Indicator type Pos. 5 | Centre distance Pos. 7 |
|------------------------|-----------------------------|------------------------------|---------------------------|
| 1* | B | K | 80 |
| Pos. 2 Body size | Pos. 4 Mechanical fixing | Pos. 6 Indicator position | |

The following tables show the various options for all characters in the above Type Code:

Position 1 — Primary code

The primary code can be one of the following values:

| | | | |
|------|---|-------------|--|
| None | DIN 43653 or other style | 3KN/110 | |
| DIN | DIN 43620 | DIN 3 | |
| 2// | Two fuses in parallel connected with fish joint | 2//3BKN/100 | |
| 2 | Two fuses in parallel integrated between plates | 24BKN/85 | |

Position 2 — Body size

| | | |
|------|-----------|-------------|
| 0000 | 17×17mm | 0000U/80 |
| 000 | 21×36mm | 000/80 |
| 00 | 30×47mm | DIN 00 |
| 0 | 35×45mm | 0S/55 |
| 1* | 45×45mm | 1*BKN/90 |
| 1 | 53×53mm | DIN 1 |
| 2 | 61×61mm | 2TN/110 |
| 3 | 76×76mm | 2//3SBKN/55 |
| 4 | 105×105mm | 4PKN/150 |
| 4+ | 115×115mm | 24+BKN/55 |
| 5 | 159×159mm | 5BKN/65 |



Position 3 — Optional

Over the years, Eaton has become a supplier that is able to adapt to customer needs. Therefore, a lot of customized, special fuses are now a part of the product offering. Position 3 in the Type Code might therefore be an S for special. For all such references, please consult Eaton for a mechanical drawing, if this is not already at your disposal.

| | | | |
|---|-----------------|----------|--|
| S | Customised fuse | 2SKN/210 | |
|---|-----------------|----------|--|

Position 4 — Mechanical fixing

| | | | |
|------|---|----------|--|
| None | Slotted blade type DIN 43653 | 2TN/110 | |
| F | US or BS 88 blade style | 1*EKE/78 | |
| B | Flush-end version — metric thread | 3BKN/50 | |
| G | Flush-end version — US thread | 1GKN/50 | |
| D | Double bolt, flush-end version — metric | 3DKN/65 | |
| E | French style blades | 1EKN/86 | |
| P | Press pack | 3PKN/85 | |
| H | Blade, without slots (not DIN 43620) | 3SHT | |

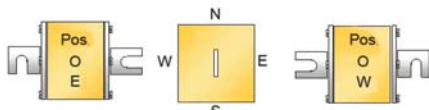
Position 5 — Indicator type

Often a fuse will have some type of indicator to show if it has opened. Some indicators are built in and some have to be externally fitted. Optionally they are able to trigger microswitches for remote indication. On the Indicator Position 5 in the Type Code, the following options are standard:

| | | | |
|------|---|---------|--|
| None | Standard visual indicator | 1/80 | |
| U | No indicator | 2U/110 | |
| K | Adaptor type indicator mounted on the fuse prepared for microswitch | 3KN/100 | |
| T | Tag-type indicator prepared for microswitch | 2TN/110 | |

Position 6 – Indicator position

The indicator position may vary from fuse to fuse. Standard mounting is the so called Position N (North) and alternative positions are E (East), W (West), and S (South):

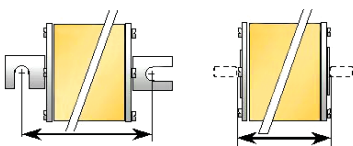


(European Projection)

| | | | |
|---|------------------------------------|----------|--|
| N | North position (standard fixation) | 2KN/110 | |
| E | East position | 1FKE/78 | |
| W | West position | 2KW/110 | |
| S | South position | 2SKS/110 | |

Position 7 – Center Distance

Indicates center distance for mounting, or overall length of fuses with flush-end contacts, stated in millimeters.



Reference system for BS88 High speed fuse links

Since fuses were first produced in the dimensions that became standardized in BS88 Part 4, fuse technology has improved. It is now possible to manufacture fuses with many different operating characteristics. In these dimensions Eaton's Bussmann series high speed fuse links are available in two speed ratings. The T range and the F range. fuses can be selected according to the following codes.

| | |
|----------------------------|---------------------|
| Current rating Pos. 1 | Body size Pos. 3 |
| 80 | L E T |
| Pos. 2 Voltage or style | Pos. 4 T Range |

T Range

Position 1 – Current rating

The continuous current rating in amps.

Position 2 – Voltage or style

| | | | |
|------|--|--------|--|
| L | Voltage rating 240 volts. Fixings as BS 88 part 4 | 80LET | |
| A | Voltage rating 660 volts. Fixings 80mm | 80AET | |
| C | Voltage rating 660 volts. Fixings 110mm | 250CMT | |
| None | Voltage rating 660 volts. Fixings as BS 88 part 4 | 20CT | |

Position 3 – Body style

In BS88 Part 4, fuses have three diameters. Eaton indicates which diameter the fuse has using a letter in Position 3. To achieve additional current ratings of fuses, it is possible to place two fuses in parallel. Eaton provides such fuses, and to indicate that two fuse barrels are used, the letter indicating the diameter is repeated.

| | | | |
|----|----------|---------|--|
| C | 8.4mm | 6CT | |
| E | 18mm | 35LET | |
| M | 38mm | 315LMT | |
| EE | 2 x 18mm | 140EET | |
| MM | 2 x 38mm | 710LMMT | |

Position 4 – T Range

The Eaton's Bussmann series T range fuse has a T in this position. Some special purpose fuses in "standard" dimensions or with special fixing arrangements may have an alternate letter in this position. Contact Eaton for details. For example, 80LET is an 80 amp, 240 volt fuse, 18 mm diameter. 160AEET is a 160 amp, 660 volt fuse with two 18mm diameter barrels and 80mm mountings.

F Range

| | |
|----------------------------|---------------------|
| Current rating Pos. 1 | F range Pos. 3 |
| 80 | A F E |
| Pos. 2 Voltage or style | Pos. 4 Body size |

Position 1 – Current rating

The continuous current rating in amps.

Position 2 – Voltage or style

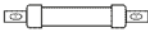




| | | | |
|---------|--|--------|--|
| A | Voltage rating 660 volts. Fixings 80mm | 20AFE | |
| C | Voltage rating 660 volts. Fixings 110mm | 250CFM | |
| No mark | Voltage rating 660 volts. Fixings as BS 88 part 4 | 80FE | |

Position 3 – F Range

The Eaton Bussmann series F range fuse (these are faster acting than the T range) has an F in this position.

Position 4 - Body style

In BS88 Part 4, fuses have three diameters. Eaton indicates the fuse diameter by means of a letter in Position 4. To achieve additional fuse current ratings it is possible to place two fuses in parallel. Eaton provides such fuses and to indicate that two fuse barrels are used, the letter indicating the diameter is repeated.

| | | | |
|----|----------|--------|---|
| C | 8.4mm | |  |
| E | 18mm | 35FE |  |
| M | 38mm | 200FM |  |
| EE | 2 x 18mm | 180FEE |  |
| MM | 2 x 38mm | 630FMM |  |

For example, 80FE is an 80 amp, 660 volt fuse, 18mm diameter.

Reference System for US High Speed Fuses

Like the European square and round body fuses, the US fuses also have descriptive part numbers. While there is no recognized US dimensional standard for high speed fuses, there are accepted industry standards that Eaton's Bussmann series fuse links meet.

The following tables show the various options for all above positions in the Type Code.

Standard fuses – Type FW

Fuses can be selected by the following codes:

| Primary Code Pos. 1 | Pos. 2 | Current rating Pos. 3 | Pos. 4 | Fixing style Pos. 5 | Pos. 6 |
|------------------------|----------------|--------------------------|--------------------|------------------------|----------------|
| FW | X | - 1000 | A | H | I |
| | Voltage rating | | Technical revision | | Indicator type |

Position 1 – Primary code

All Eaton's Bussmann series US style high speed fuses in the standard program are designated by the prefix FW.

Position 2 – Voltage rating

The AC-voltage rating of the fuse.

| | | |
|---|------------|----------------------------|
| L | 130 or 150 | FWA-80A |
| X | 250 | FWX-1A14F |
| H | 500 | FWH-175B |
| C | 600 | FWC-12A10F |
| P | 700 | FWP-15A14F |
| K | 750 | FWK-5A20F |
| J | 1000 | FWJ-20A14F |
| L | 1250 | FWL-20A20F |
| S | 1500 | FW \underline{S} -15A20F |

Position 3 – Current rating

For Eaton's Bussmann series high speed fuse links this is usually the continuous current rating.




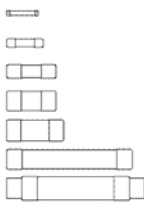
Position 4 – Technical revision

Eaton constantly improves its products. The Eaton Bussmann series FW range also represents a consolidation after several acquisitions. When this occurs, it is necessary to distinguish each technical revision without changing the existing part numbers. In common with the semiconductor industry, Eaton uses a letter code for this purpose. For technical reasons, it may be necessary to maintain more than one of these revisions for some applications, but most applications should use the latest revision.

| | | |
|--------------|-----------------------------------|-----------------|
| No mark | The first version of this product | |
| A, B, C etc. | Later improved version | FWP-10 <u>B</u> |

Position 5 – Fixing style

Most of the FW fuses have center blades with mounting holes. However, flush end mounting (often called Hockey Puck) are common and so are the cylindrical or ferrule types.

| | | | |
|-------|---|--|--|
| Empty | Standard blade | FWX-90A |  |
| H | Flush end fixings – UNC thread | FWX-1000AH |  |
| BB | Flush end fixings – metric thread | FWA-2000ABB |  |
| **F | Cylindrical bladeless (ferrule) where ** is the diameter in mm of the end cap | FWH-30A <u>6F</u> FWC-20A <u>10F</u> FWH-30A <u>14F</u> FWA-35A <u>21F</u> FWP-100A <u>22F</u> FWK-25A <u>20F</u> FWK-60A <u>25F</u> |  |

Note: Where F is in Position 5, the first version of the product will be designated with an A

Position 6 – Indicator

As standard, the FW fuses do not have visual indication of fuse operation.

| Empty | Standard product |
|-------|--|
| I | Indication by additional external type TI indicating fuse that also takes MA type microswitch (see BS style accessories) |
| SI | Indication by external indicator that also takes 170H0069 microswitch |

Special fuses - Types SF and XL

In addition to the standard FW fuses, Eaton offers special purpose fuses along with higher speed versions as an alternative to some of the FW range. These special fuses can be selected by the following codes.

| | | | | | | |
|------------------------|--------------------------|-----------------|--------------------------|------------------------------|------------------------|--------------------------|
| Primary code Pos. 1 | | Style Pos. 3 | | Technical revision Pos. 5 | | Indicator type Pos. 5 |
| SF | 75 | X | 1000 | | H | I |
| | Pos. 2 Voltage rating | | Pos. 4 Current rating | | Pos. 6 Fixing style | |

Position 1 – Primary code

Eaton's Bussmann series US style high speed and special purpose fuse links are designated by the prefix SF or XL.

Position 2 – Voltage rating

Generally, this is one tenth of the AC-voltage rating of the fuse. For special purpose fuses, please check with Eaton's application engineering department: bulehighspeedtechnical@eaton.com.

Position 3 – Style

| | |
|---|---|
| F | High speed performance. This often also means good dc voltage performance |
| X | Slow speed, often for traction applications |

This is only an indication of the letters used, others may be used.

Position 4 – Current rating

On standard high speed fuses this is usually the continuous current rating. For special types, this position may only be an indication of capabilities, as many of these designations are agreed upon with OEMs for special applications.

Position 5 – Technical revision

Eaton constantly improves its products. When this occurs with products outside our main fuse offerings it is necessary to distinguish each technical revision without changing the existing part numbers. In common with the semiconductor industry, Eaton uses a letter code for this purpose. For technical reasons it may be necessary to maintain more than one of these revisions for some applications while most applications should use the latest revision.

| | |
|--------------|-----------------------------------|
| No mark | The first version of this product |
| A, B, C etc. | Later improved version |

Position 6 – Fixing style

Most of the SF and XL type fuses have center blades with mounting holes.

| | |
|--------|-------------------------------------|
| Empty | Standard blade |
| HP | Flush end fixings — imperial thread |
| BB | Flush end fixings — metric thread |
| others | Agreed with OEM |

Position 7 – Indicator

| | |
|-------|--|
| Empty | Standard product |
| I | Indication by additional external type TI indicating fuse that also takes MA type microswitch (see BS style accessories) |
| M | Microswitch fitted |

Appendix 3

Installation, service, maintenance, environmental and storage issues

High speed fuses are highly sophisticated and require due care for proper installation and maintenance. This will ensure reliable performance throughout the fuse's life. This section will cover these specific and general issues:

- Tightening torque and contact pressure.
- Mounting Alignment.
- Surface materials of contacts.
- Resistance to vibration and shock
- Service/maintenance
- Environmental issues.

Tightening torque and contact pressure

High speed fuses are electro-mechanical devices. Their proper function depends on the contact quality between the fuse and the connecting cables/ busbars or between the fuse and fuse holder. This is not only important for proper electrical contact, but also because high speed fuses generate a lot of heat that is partly removed via conduction through the fuse's connections. A poor thermal connection can result in the fuse overheating and reduced life. Therefore it is important to apply the right tightening torque when mounting fuses.

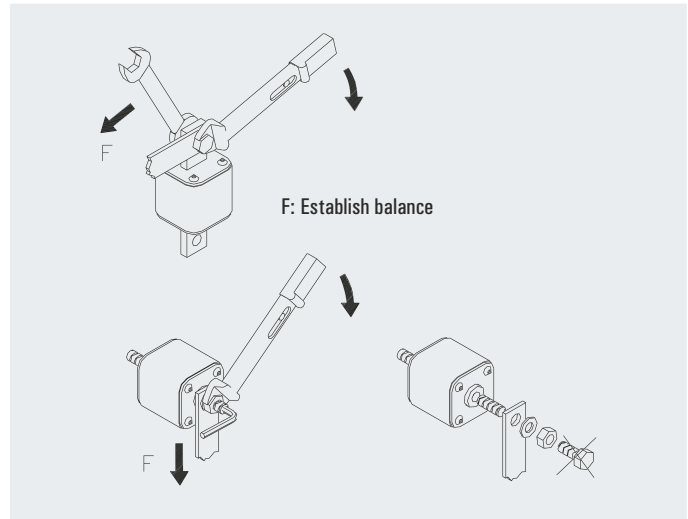
Fuses with flush end contacts

For all kinds of flush end fuses Eaton recommends grade 8.8 steel socket set screws according to IS 4026/DIN 913 or ISO 4029/DIN 916. The studs must be tightened carefully applying a torque of 5-8N•m. As a rule, the torque on the nuts relates to the threaded hole dimension in the fuse contact. Eaton recommends a calibrated torque wrench with a tolerance of maximum ± 4 percent. The following provides the recommended nut tightening torques:

| Size /Type | Thread hole | | Torque | |
|---------------|-------------|---------|--------|-------|
| | mm | inches | N•m* | N•m** |
| 00B | M8 | | 20 | 10 |
| 1*B – 1*G | M8 | 5/16 | 20 | 10 |
| 1B – 1G | M8 | 5/16 | 20 | 10 |
| 2B – 2G | M10 | 3/8 | 40 | 20 |
| 3B – 3G | M12 | 1/2 | 50 | 40 |
| 23B – 23G | 2 × M10 | 2 × 3/8 | 40 | 20 |
| 4B – 4G | 4 × M10 | 4 × 3/8 | 40 | 20 |
| 24B – 24G | 3 × M12 | 3 × 1/2 | 50 | 40 |
| 5B – 5G | 5 × M12 | 5 × 1/2 | 50 | 40 |
| FWX, FWA, KBC | | 3/8 | 40 | 20 |

* Ungreased thread.

** Greased threads (with Rhodorsil Paste 4, etc.)



Special flush-end types

Special types like 4SB or 24SB normally have threaded holes in only one end and a plate on the other for mounting on (water cooled) busbars. In such cases, the screw-in studs and nuts for the threaded hole use the values in the torque table while the plate is mounted on the busbars with 50N•m of torque.

Fuses with contact knives

Generally this fuse type is divided into two main groups. Fuses with slotted knives according to DIN 43653 for mounting directly on busbars or in special fuse holders, and fuses with solid knives according to DIN 43620 for mounting in spring-loaded fuse holders.

DIN 43653 – on busbars

Fuses for mounting on busbars are to be tightened with the largest possible bolts/studs, nuts and washers. Use of washers is recommended. The bolts/nuts are tightened with a torque appropriate to their size and tensile strength. E.g., M8 Type 8.8 30N•m (with lubricant) or 50N•m (without lubricant).

DIN 43653 — in fuse holders

Fuse mounted in special made fuse holder must be tightened according to the specification provided with the holder.

Maximum tightening torque for some Eaton's Bussmann series holders are given below:

| Part number | Torque N•m* | |
|-----------------------|---------------------|------------------------|
| | Bolts for holder | Bolts for cables/fuses |
| 170H1007 | 4 (M6) | |
| 170H3003 – 170H3006** | 10 (M8) | |
| | Torque lb-in | |
| | Conductor set screw | Fuse mounting bolt |
| 1BS101 | 120 | 70 |
| 1BS102 | 275 | 120 |
| 1BS103 | 275 | 170 |
| 1BS104 | 375 | 170 |
| BH-1,2,3 | - | - |

$$1 \text{ lb-in} \times 0.11298 = 1 \text{ N}\cdot\text{m}$$

* Thread greased with Rhodorsil Paste 4 (Rhône- Poulenc), etc.

** For 170Hxxxx holders the above values can be increased by 25 percent if no plastic parts are stressed.

DIN 43620

This kind of holder is equipped with one or more springs to provide the correct contact pressure when the fuse is installed. No tightening recommendations are given. When mounting Eaton's Bussmann series holder 170H3040-47, use a maximum tightening torque of 10N•m to mount it onto the equipment.

Press pack fuses

Some of the most common semiconductors can be stack mounted under an applied clamping force. A range of so-called Press Pack fuses in body type 3P and 4P are available and allow the user to reduce the number of components required. This can be achieved by clamping the semiconductor and the fuse together with a water cooling boxes in a single mounting arrangement. The maximum clamping force a fuse can withstand depends on many factors such as the:

- Length and cross section area of the fuse body
- Temperature gradient between the fuse contacts
- Electrical load conditions

When clamping a fuse into an application, three requirements need to be considered.

1. The maximum clamping force applied to a press pack fuse should not exceed the stated value (please see table below) as this may damage the ceramic body,
2. To ensure safe electrical and thermal contact between fuse contact and the water cooling box or busbar, a minimum force of 2N/mm² needs to be applied to the contact area of the fuse.
3. A maximum for of 15N/mm² can be applied to the minimum contact area of the fuse, to ensure safe thermal contact pressure. (Please note that the total pressure should not exceed the amounts stated in the table below).

Example values for maximum clamping force can be found in the table below.

| Size | Single-sided cooling kN | Double-sided cooling kN |
|-------|-------------------------|-------------------------|
| 3P/55 | 22 | 30 |
| 4P/60 | 40 | 50 |
| 3P/80 | 30 | 40 |
| 4P/80 | 50 | 60 |

Note: Greater permissible clamping force can be applied on some press pack fuses, please consult Eaton's application engineering: bulehighspeedtechnical@eaton.com.

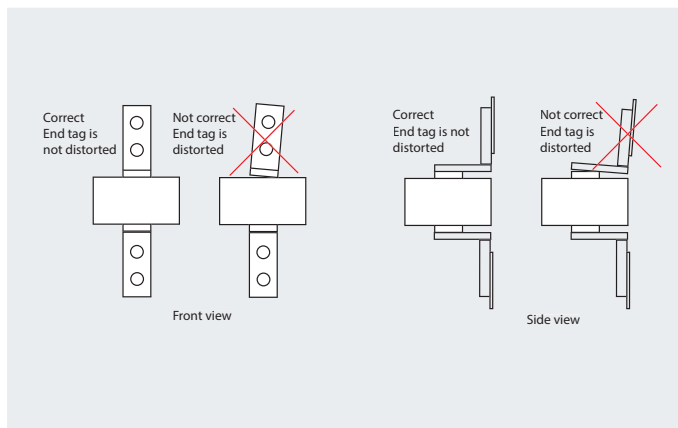
If a Press Pack fuse is water cooled at one end and not at the other there will be a difference between the temperatures at each contact end. If the difference between in temperatures is greater than 55K then the clamping values in the above table are invalid. For fuses that use double-sided water cooling, the temperature difference between the fuse contacts is expected to be negligible and the above table values are valid.

Eaton also manufacture a double body Press Pack fuse (24B and 24+B). Please consult Eaton's application engineering (bulehighspeedtechnical@eaton.com) when using this fuse in your application.

Mounting alignment

Eaton's Bussmann series high speed fuses are generally supplied in a ready-to-install condition.

The fuses are not meant as mounting isolators. Excessive tension, compression and torque from misalignment between fuse and busbars (see example below) should be avoided. If possible, mounting should start with the fuse followed by the necessary adjustment and tolerance utilization of busbar components.



Surface material

The electrical conducting metal parts of Eaton's Bussmann series high speed fuses are usually plated to maintain an acceptable surface condition. Tin is the most common material for the fuse contacts today.

Tin-plated contacts

| | Concentration - Duration PPM - h | According to standard |
|------------------|-------------------------------------|-----------------------|
| H ₂ O | 12,5ppm - 96h | IEC 68-2-43 Kd |
| SO ₂ | 25ppm - 504h | IEC 68-2-42 Kd |

Most of Eaton's Bussmann series high speed fuse contact surfaces are electro-plated with a 5µm layer of tin. This plating provides an excellent electrical and thermal interface with holders or cables/busbars of either pure copper or copper/aluminum plated with tin/nickel or silver.

Many tests and more than 30 years of experience have shown that a tin, nickel or silver-plated surface is both mechanically and electrically stable in the entire temperature high speed fuse temperature range (typical maximum temperature rise of 130°C).

Vibration and shock resistance

High speed fuses should not be submitted to excessive vibration. However, standard high speed fuses can withstand vibration with a maximum 5g magnitude for a long-time basis and 7g for short periods (shocks). Before using fuses in applications with stronger vibration, consult Eaton's application engineering: bulehighspeedtechnical@eaton.com.

Service and maintenance

The following points should be observed and checked during maintenance of electrical cabinets and switchgear.

1. Check tightening torques and examine ceramic fuse bodies for visible cracks. Tighten or replace as needed.
2. Check all fuse indicators. In case of any fuse opening, replace all opened AND unopened fuses that have been subjected to the same the fault current or a part of it. Even if the resistance (W) of the unopened fuses is unchanged, the fuses may be damaged by the fault current and must be changed to avoid nuisance openings.

Environmental issues

Generally, high speed fuses are made from the following basic materials:

- Ceramic
- Fiberglass
- Silver
- Copper
- Brass
- Steel
- Silica sand

Accessories like micro switches and fuse holders are partly made of various plastic materials. For further information on fuse materials, contact Eaton's application engineering: bulehighspeedtechnical@eaton.com.

Storage

Fuses should be stored in their original boxes under typical warehouse conditions for electro-mechanical products (free from any dirt and dust). Storage conditions should be no more than 70 percent relative humidity and in the -40°C to +85°C range.

Appendix 4

Glossary

Arcing I²t

Value of the I²t during the arcing time under specified conditions.

Amp (Ampere)

The measurement of intensity of rate of flow of electrons in an electric circuit. An amp is the amount of current that will flow through a resistance of one ohm under a pressure of one volt.

Amp rating

The current-carrying capacity of a fuse. It is given in amps RMS (root mean square, also called the effective value).

I²t , Amp squared seconds

The measure of heat energy developed within a circuit during the fuse operation. I stands for effective let-through current (RMS), which is squared, and t stands for time of opening, in seconds. It can be expressed as Melting I²t, Arcing I²t or the sum of them as Clearing I²t.

Arcing time

The amount of time from the instant the fuse has melted until the over current is safely interrupted (cleared).

Arc voltage

This is the voltage, which occurs between the terminals of a fuse during operation. The size of the arc voltage for a given fuse is supply voltage dependent.

Breaking capacity / Interrupting rating/ Interrupting capacity

This is the maximum value of prospective current, RMS symmetrical, which a fuse is capable of interrupting at stated conditions.

Classes of fuses/Fuse class

National and International Standards have developed basic physical specifications and electrical performance requirements for fuses with voltage ratings that pertain to specific countries.

The fuse class refers to the designed interrupting characteristic of the fuse. The following fuse class found in IEC 60269 applies to high speed fuses.

- aR - Partial-range interrupting capacity (short-circuit protection only) for the protection of power semiconductors (IEC

Utilization category).

Other classes are:

- gG (gL) — Full-range interrupting capacity (overload and short-circuit protection) for general applications (IEC Utilization category).
- gM — Full-range interrupting capacity (overload and short-circuit protection) for the protection of motor circuits (IEC Utilization category).
- aM — Partial-range interrupting capacity (short-circuit protection only) for the protection of motor circuits (IEC Utilization category).
- gR — Full-range interrupting capacity (overload and short-circuit protection) for the protection of Power Semiconductors. (pending).
- gPV — gPV – Full-range interrupting capacity (overload and short-circuit protection) for the protection of Photovoltaic (PV) systems" below gR class.

Clearing (Total operating) time

The total time between the beginning of the over current and the final opening of the circuit at system voltage. Clearing time is the total of the melting time and the arcing time.

Current-limitation

A fuse operation relating to short-circuits only. When a fuse operates in its current-limiting range, it will clear a short-circuit before the first peak of the current. Also, it will limit the instantaneous peak let-through current to a value substantially less than that obtainable in the same circuit if that fuse were replaced with a solid conductor of equal impedance.

Cut-off current / Peak let-through current

The maximum value reached by the fault current during the interrupting operation of a fuse. In many cases the fuse will be current limiting.

Electrical load

That part of the electrical system which actually uses the energy or does the work required.

Fast acting fuse

A fuse which opens on overload and short-circuits very quickly. This type of fuse is not designed to withstand temporary overload currents associated with some electrical loads, when sized near the full load current of the circuit.

Fuse

An over current protective device with a fusible link that operates and opens the circuit on an over current condition.

High speed fuse links

Fuses with no intentional time-delay in the overload range and designed to open as quickly as possible in the short-circuit range. These fuses are often used to protect solid-state devices.

IEC

IEC stands for the International Electrotechnical Commission. It is a non-profit, non-governmental international standards organization that prepares and publishes International Standards for all electrical, electronic and related technologies – collectively known as "electrotechnology".

Inductive load

A load which has inductive properties. Common forms are motors, transformers, wound control gear. This type of load pulls a large amount of current when first energized.

Interrupting capacity

Refer to Interrupting capacity.

Interrupting rating

Refer to Interrupting capacity.

Melting time

The amount of time required to melt the fuse element during a specified over current. (See arcing time and clearing time.)

Ohm

The unit of measure for electric resistance. An ohm is the amount of resistance that will allow one amp to flow under a pressure of one volt.

Overload

This is a condition in which an over current exceeds the normal full load current of a circuit that is in an otherwise healthy condition.

Peak let-through current

The instantaneous value of peak current let-through by a current-limiting fuse, when it operates in its current-limiting range.

Power factor

The ratio of active power (kW) to apparent power (kVA) drawn by a load. It corresponds to the cosine of the phase angle between the voltage and current (cos).

Power losses/watts losses

The power released in a fuse when loaded according to stated conditions.

Prospective short-circuit current

This is the current that would flow in the fault circuit if the fuse was replaced by a link with an infinitely small impedance. Normally it is given as symmetrical RMS value, also called I_p .

Recovery voltage

This is the voltage which can be measured across the fuse connections after operation.

Resistive load

An electrical load which is characteristic of not having any significant inductive or capacitive component. When a resistive load is energized, the current rises instantly to its steady-state value, without first rising to a higher value.

RMS Current

Also known as the effective value, it corresponds to the peak instantaneous value of a sinusoidal waveform divided by the square root of two. The RMS value of an alternating current is equivalent to the value of direct current which would produce the same amount of heat or power.

Semiconductor fuses

Fuses used to protect solid-state devices. See high speed fuses.

Short-circuit current

Can be classified as an over current which exceeds the normal full load current of a circuit by a factor many times.

Short-Circuit Current Rating (SCCR)

The maximum short-circuit current an electrical component can sustain without the occurrence of excessive damage when protected with an overcurrent protective device.

Threshold current

The symmetrical RMS available current at the threshold of the current limiting range, where the fuse becomes current limiting when tested to the industry standard. This value can be read off of a peak let-through chart where the fuse curve intersects the A-B line. A threshold ratio is the relationship of the threshold current to the fuse's continuous current rating. This current is used during testing to UL specifications

Time-delay fuse

A fuse with a built-in delay that allows temporary and harmless inrush currents to pass without opening, but is so designed to open on sustained overloads and short-circuits.

Virtual melting time

Is a method of presenting melting times in a manner independent of the current waveform. It is the time that it would take a DC-current equal to I_p to generate the Melting I^2t . The definition is:

Total operating (Clearing) I^2t

The total operating I^2t value is the total of the pre-arcing and the arcing I^2t values under specified conditions.

UL

UL stands for Underwriters Laboratories Inc., an independent, non-profit, and non-governmental organization focusing on product safety. UL issues standards and provides third party testing mainly for USA markets.

Voltage rating

The maximum open circuit RMS voltage in which a fuse can be used, yet safely interrupt an over current. Exceeding the voltage rating of a fuse impairs its ability to clear an overload or short-circuit safely.

Withstand rating

The maximum current that an unprotected electrical component can sustain for a specified period of time without the occurrence of extensive damage. See short-circuit current rating (SCCR).

This bulletin is intended to clearly present comprehensive technical information that will help the end user with design application. Eaton reserves the right to change design or construction of any products.

Eaton also reserves the right to change or update, without notice, any technical information contained in this bulletin.

Once a product has been selected, it should be tested by the user in all possible applications.

Contact details

Customer satisfaction team

Eaton's customer satisfaction team is available to answer questions regarding Eaton's Bussmann series products.

Europe calls can be made between:

Monday — Thursday 7.30 a.m. - 5.30 p.m. GMT
Friday 7.30 a.m. - 5.00 p.m. GMT

The customer satisfaction team can be reached via:

Phone: 00 44 (0) 1509 882 600

Fax: 00 44 (0) 1509 882 786

Email: bulesales@eaton.com

C3 customer center

The C3 portal supports the following product lines: B-Line series, Bussmann series, Crouse-Hinds series, Lighting solutions, Cooper Power series and Wiring devices.

Get started today at www.my.eaton.com by clicking 'Request User ID and Password'.

- Easy to Navigate
- Simple to Use
- Real-Time Data

Online resources

Visit www.eaton.com/bussmannseries for the following resources:

- Product cross reference
- Product profiles
- Online catalogues for the latest United States and European catalogues.

Application engineering

Application engineering assistance is available to all customers. The application engineering team is staffed by university-qualified electrical engineers who are available with technical and application support.

European calls can be made between:

Monday — Thursday 8.30 a.m. - 4.30 p.m. GMT
Friday 8.30 a.m. - 4.00 p.m. GMT

Application engineering can be reached via:

Phone: 00 44 (0) 1509 882 699

Fax: 00 44 (0) 1509 882 794

Email:

- Europe: bulehighspeedtechnical@eaton.com
- India: technicalhelpindia@eaton.com
- America: fusetech@eaton.com

At Eaton, we're energised by the challenge of powering a world that demands more. With over 100 years' experience in electrical power management, we have the expertise to see beyond today. From groundbreaking products to turnkey design and engineering services, critical industries around the globe count on Eaton.

We power businesses with reliable, efficient and safe electrical power management solutions. Combined with our personal service, support and bold thinking, we are answering tomorrow's needs today. Follow the charge with Eaton. Visit eaton.com/electrical.

Contact your local Eaton office

Electrical Sector
Eaton
Melton Road
Burton-on-the-Wolds
LE12 5TH
Leicestershire
United Kingdom
bulesales@eaton.com
www.eaton.com/bussmannseries

Eaton
EMEA Headquarters
Route de la Longeraie 7
1110 Morges, Switzerland
Eaton.eu

© 2016 Eaton
All Rights Reserved
Printed in the United Kingdom
Publication No. BR132015EN
February 2016

Eaton is a registered trademark.

All other trademarks are property
of their respective owners.